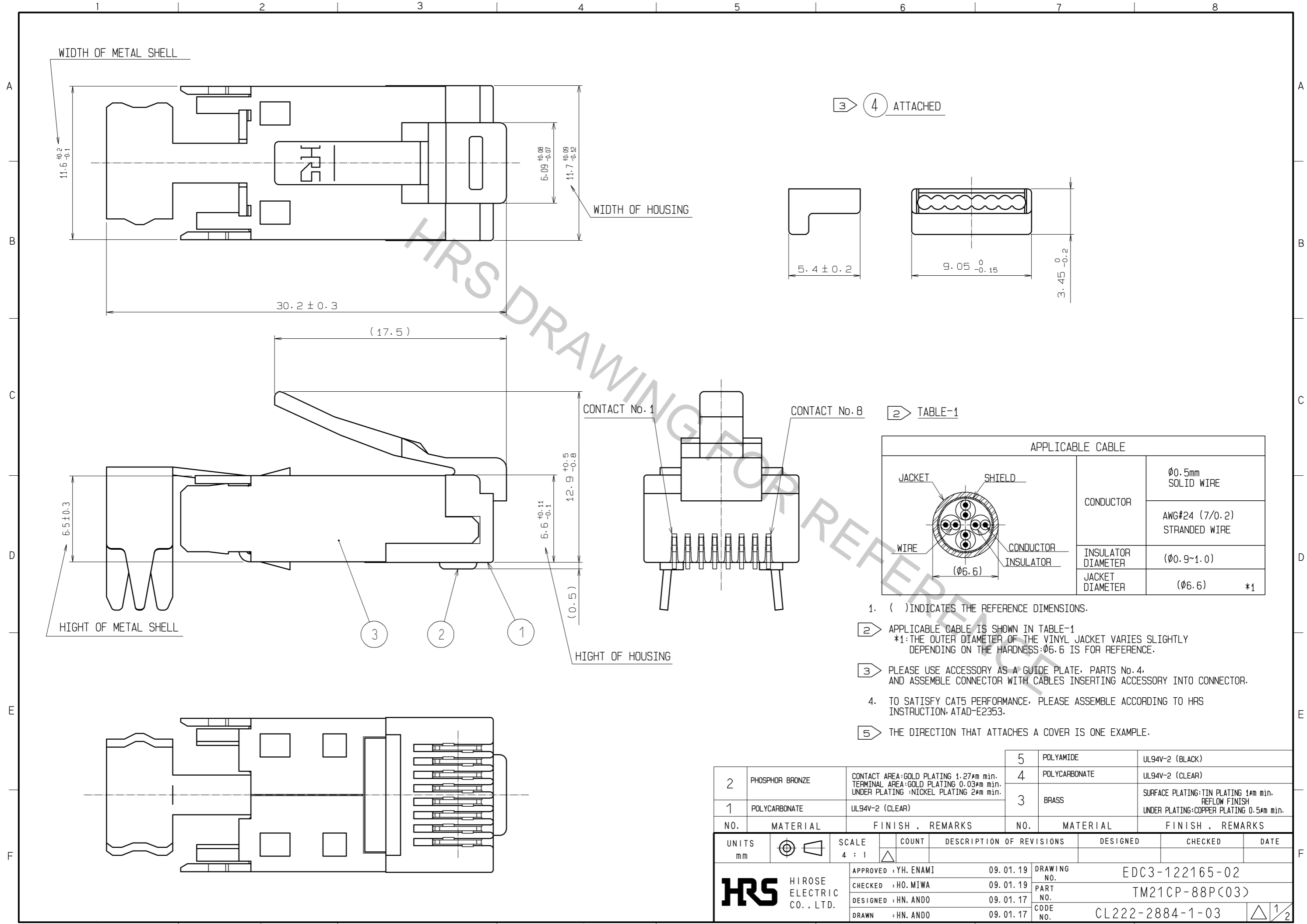


Jan.1.2019 Copyright 2019 HIROSE ELECTRIC CO., LTD. All Rights Reserved.
 In case that the application demands a high level of reliability, such as automotive,
 please contact a company representative for further information.



APPLICABLE CABLE		
CONDUCTOR		Ø0.5mm SOLID WIRE
		AWG#24 (7/0.2) STRANDED WIRE
INSULATOR DIAMETER		(Ø0.9~1.0)
JACKET DIAMETER		(Ø6.6) *1

- 1. () INDICATES THE REFERENCE DIMENSIONS.
- 2. APPLICABLE CABLE IS SHOWN IN TABLE-1
 *1: THE OUTER DIAMETER OF THE VINYL JACKET VARIES SLIGHTLY DEPENDING ON THE HARDNESS: Ø6.6 IS FOR REFERENCE.
- 3. PLEASE USE ACCESSORY AS A GUIDE PLATE, PARTS No. 4, AND ASSEMBLE CONNECTOR WITH CABLES INSERTING ACCESSORY INTO CONNECTOR.
- 4. TO SATISFY CAT5 PERFORMANCE, PLEASE ASSEMBLE ACCORDING TO HRS INSTRUCTION: ATAD-E2353.
- 5. THE DIRECTION THAT ATTACHES A COVER IS ONE EXAMPLE.

NO.	MATERIAL	FINISH . REMARKS	NO.	MATERIAL	FINISH . REMARKS
2	PHOSPHOR BRONZE	CONTACT AREA:GOLD PLATING 1.27µm min. TERMINAL AREA:GOLD PLATING 0.03µm min. UNDER PLATING :NICKEL PLATING 2µm min.	5	POLYAMIDE	UL94V-2 (BLACK)
1	POLYCARBONATE	UL94V-2 (CLEAR)	4	POLYCARBONATE	UL94V-2 (CLEAR)
			3	BRASS	SURFACE PLATING:TIN PLATING 1µm min. REFLOW FINISH UNDER PLATING:COPPER PLATING 0.5µm min.

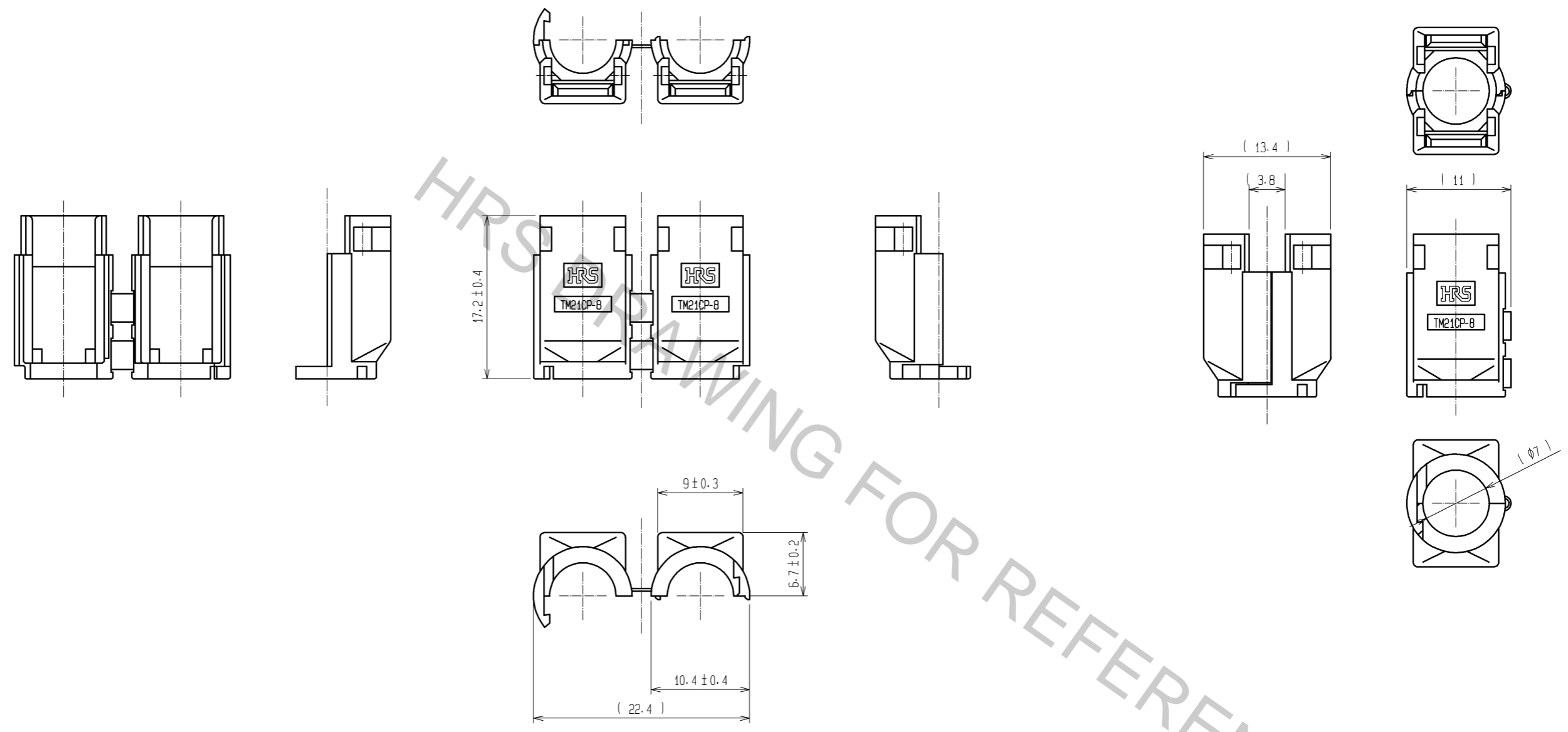
UNITS	SCALE	COUNT	DESCRIPTION OF REVISIONS	DESIGNED	CHECKED	DATE
mm	4 : 1	△	APPROVED : YH. ENAMI 09.01.19			
			CHECKED : HO. MIWA 09.01.19			
			DESIGNED : HN. ANDO 09.01.17			
			DRAWN : HN. ANDO 09.01.17			

DRAWING NO.	EDC3-122165-02
PART NO.	TM21CP-88P(03)
CODE NO.	CL222-2884-1-03

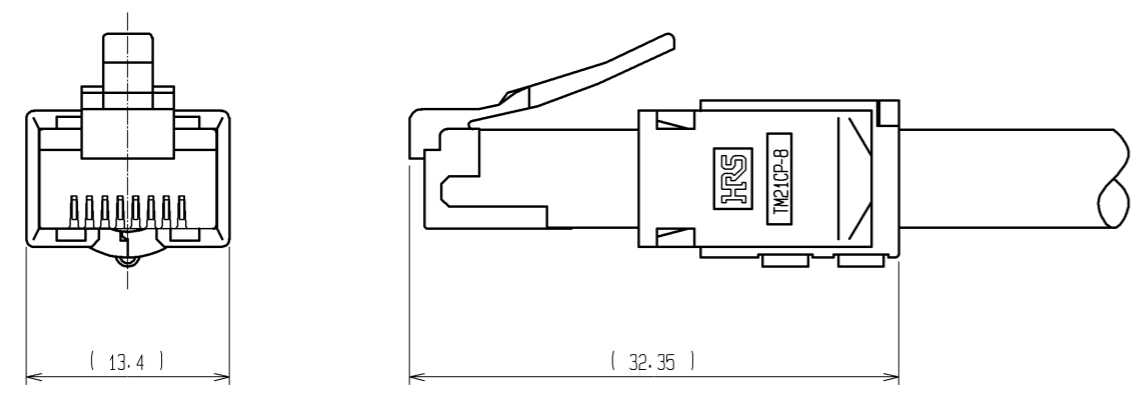
Jan.1.2019 Copyright 2019 HIROSE ELECTRIC CO., LTD. All Rights Reserved.
 In case that the application demands a high level of reliability, such as automotive,
 please contact a company representative for further information.

5 ATTACHED

FIGURE OF MATED COVER



5 ATTACHED COVER



HRS	図番:	EDC3-122165-02	△ 2/2
	製品名:	TM21CP-88P(03)	
	製品コード:	CL222-2884-1-03	