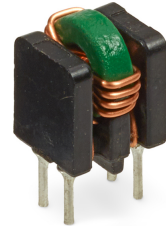
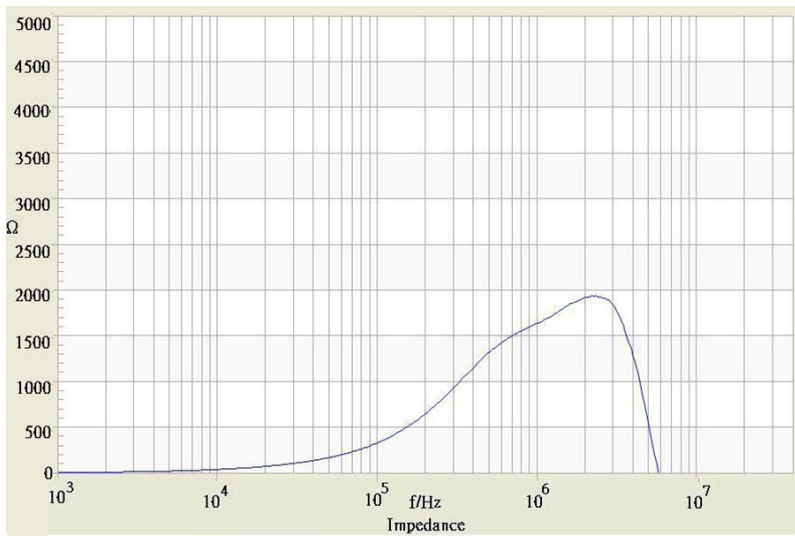


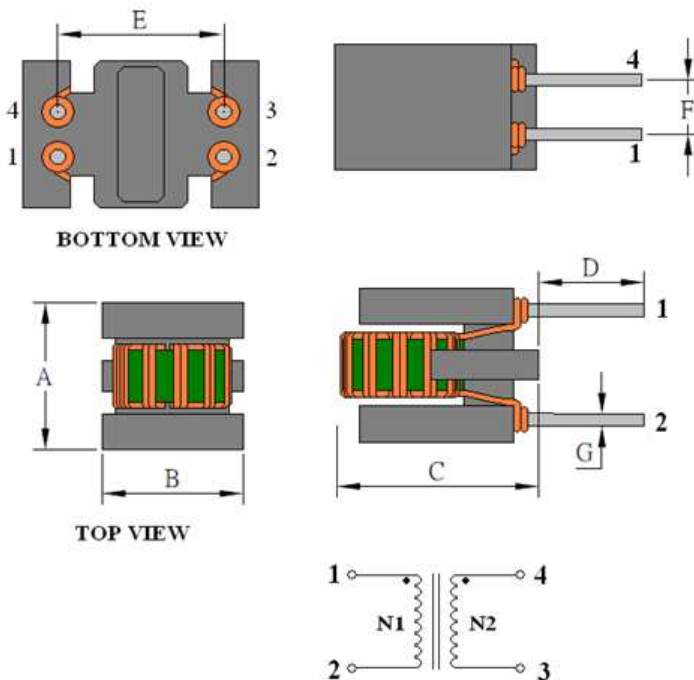
|                                  |                                                |
|----------------------------------|------------------------------------------------|
| <b>Order Code</b>                | <b>TCK-119</b>                                 |
| <b>Inductance</b> (each winding) | 419 $\mu\text{H} \pm 25\%$ (at 10 kHz / 50 mV) |
| <b>Impedance</b> (DCR)           | 117 mOhm max.                                  |
| <b>Rated Current</b>             | 0.78 A max.                                    |
| <b>Rated Voltage</b>             | 500 VDC max. (between windings)                |
| <b>Operating Temperature</b>     | -40°C to +105°C                                |



### Impedance Curve



### Outline Dimensions



#### Dimensions [mm]

| Dimension | Value                     |
|-----------|---------------------------|
| A         | 7.5 max.                  |
| B         | 8.5 max.                  |
| C         | 10.5 max.                 |
| D         | 3.5 $\pm 1.0$             |
| E         | 5.08 $\pm 0.5$            |
| F         | 2.54 $\pm 0.3$            |
| G         | $\varnothing 0.6 \pm 0.1$ |