

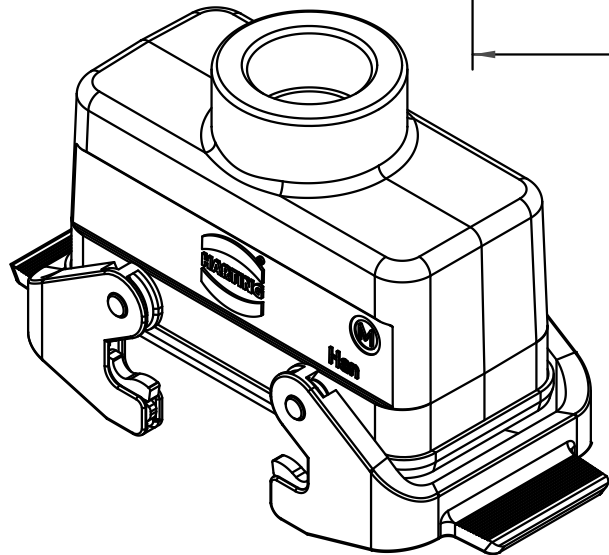
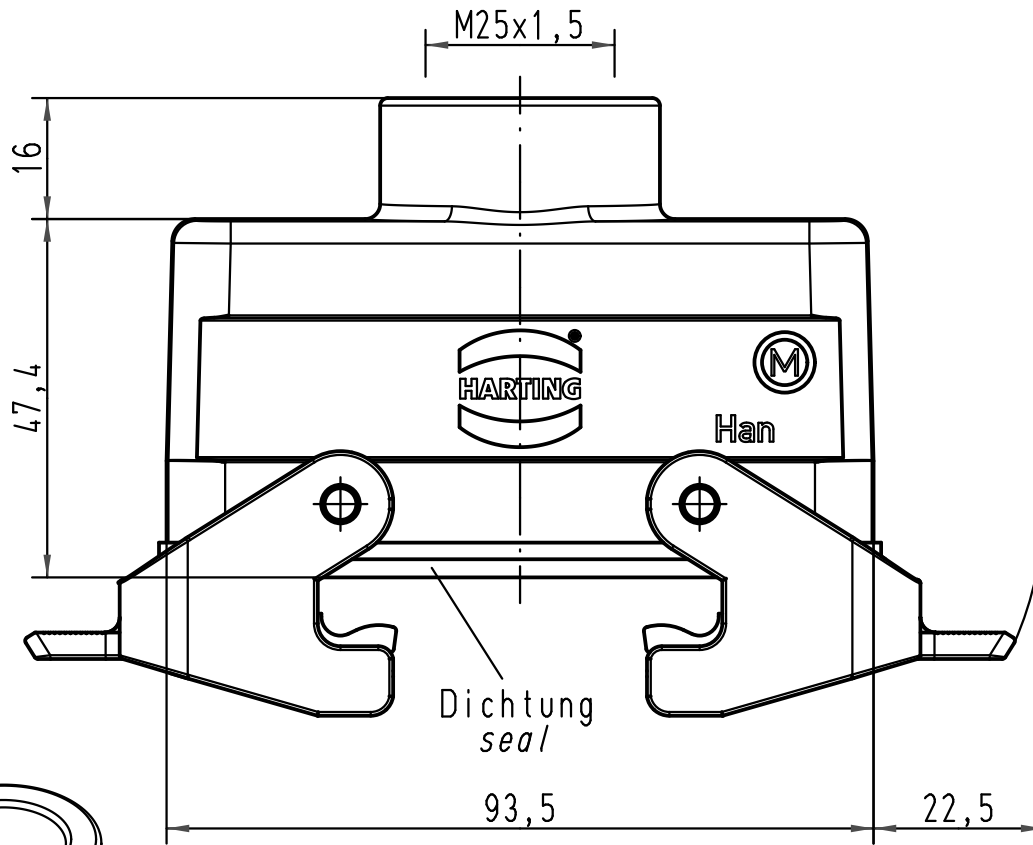
1 2 3 4 5 6



A

B

C

D



| | | | | | | | | |
|---|----------|------|---|----------|------|---|------|--|
|  All Dimensions in mm Original Size DIN A 4 | | | Techn. Character. | | | Nicht tolerierte Maß/Free size tolerances | | |
| | | | | Dat. | Name | Maßstab/Scale 1:1 | | Han 6HvE-kg-QB-M25 Kupplungsgehäuse hood cable to cable |
| | | | Detail. | 10.12.08 | Ho | | | |
| | | | Insp. | | Sch | | | |
| | | | Stand. | | | | | |
| B | 08.07.10 | Rull | HARTING Electric GmbH & Co. KG | | | TB 19 34 006 0731 | | Blatt/page |
| A | | | D-32339 Espelkamp | | | | | |
| Mod. | Dat. | Name |  | | | | | |
| | | | | | | | Sub. | |