

THIS DRAWING IS UNPUBLISHED. RELEASED FOR PUBLICATION 20
 © COPYRIGHT 20 BY - ALL RIGHTS RESERVED.

| REVISIONS | | | | |
|-----------|-----|---------------------------|-----------|---------|
| P | LTR | DESCRIPTION | DATE | APVD |
| A2 | | ECR-16-010931 UPDATE NAME | 02AUG2016 | L.Z X.X |

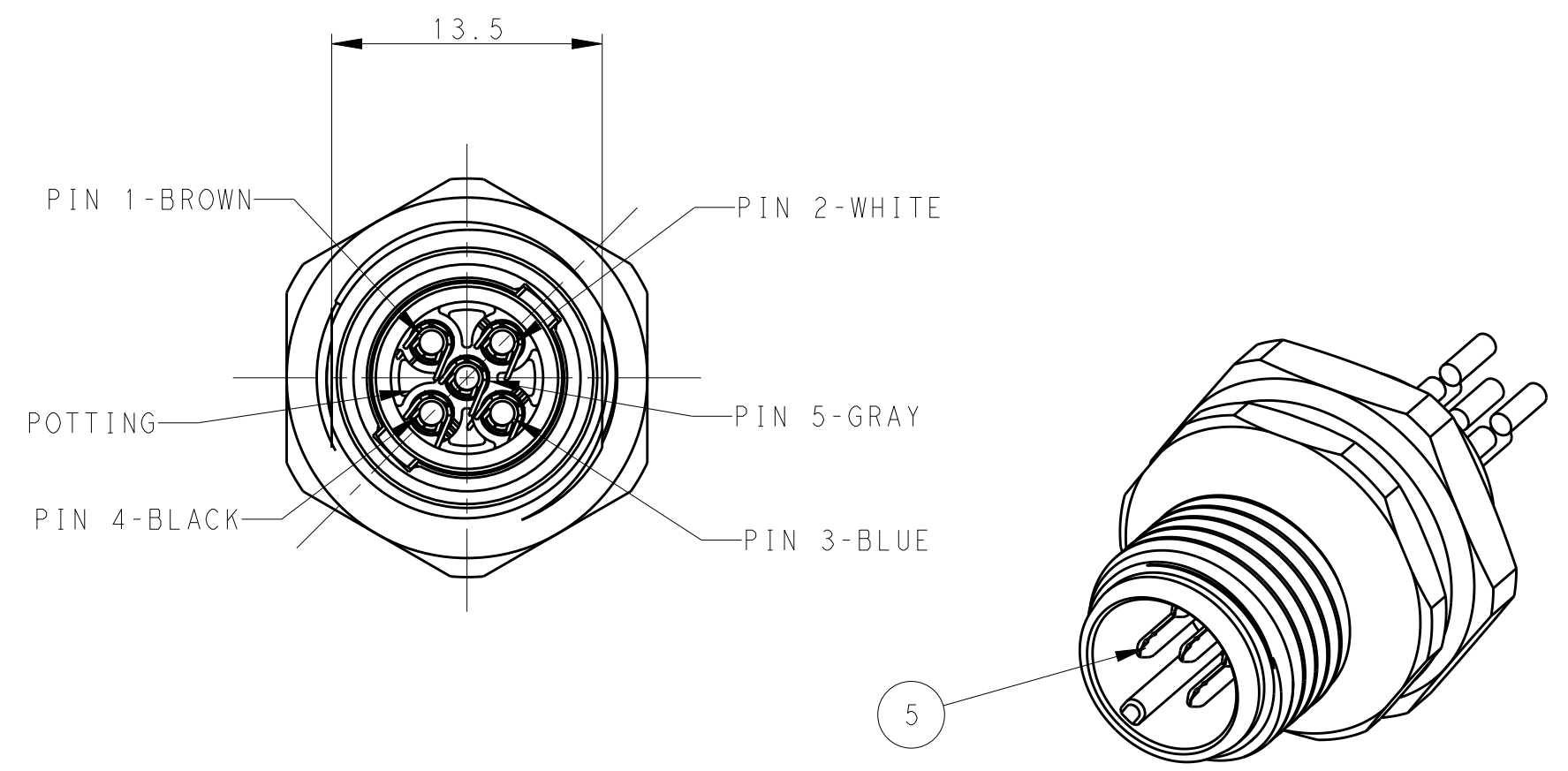
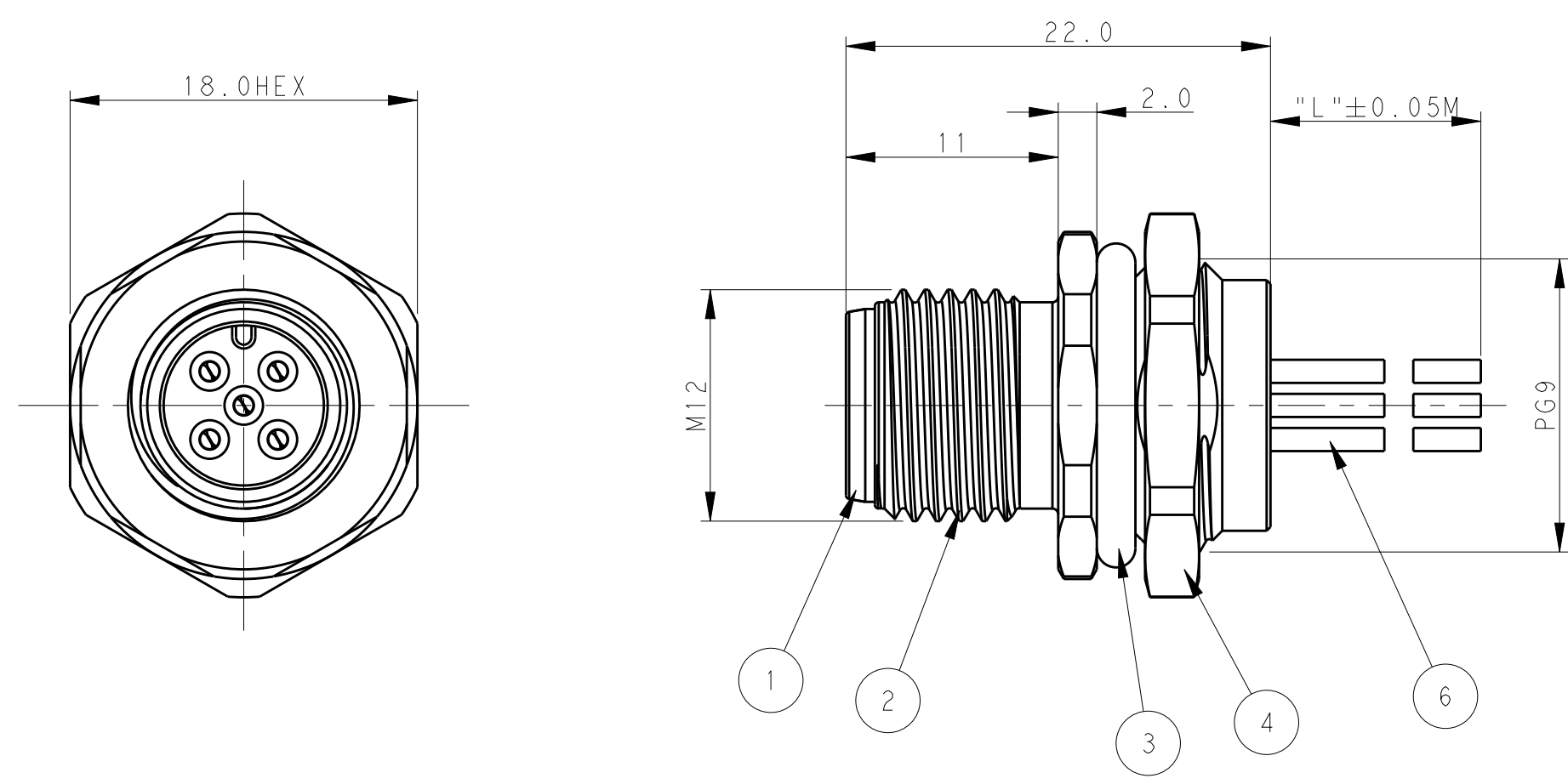


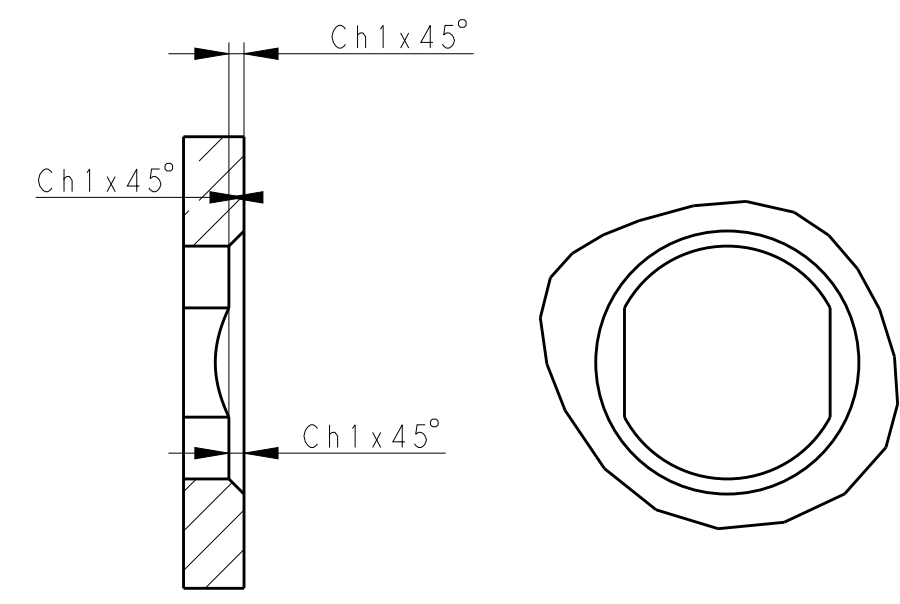
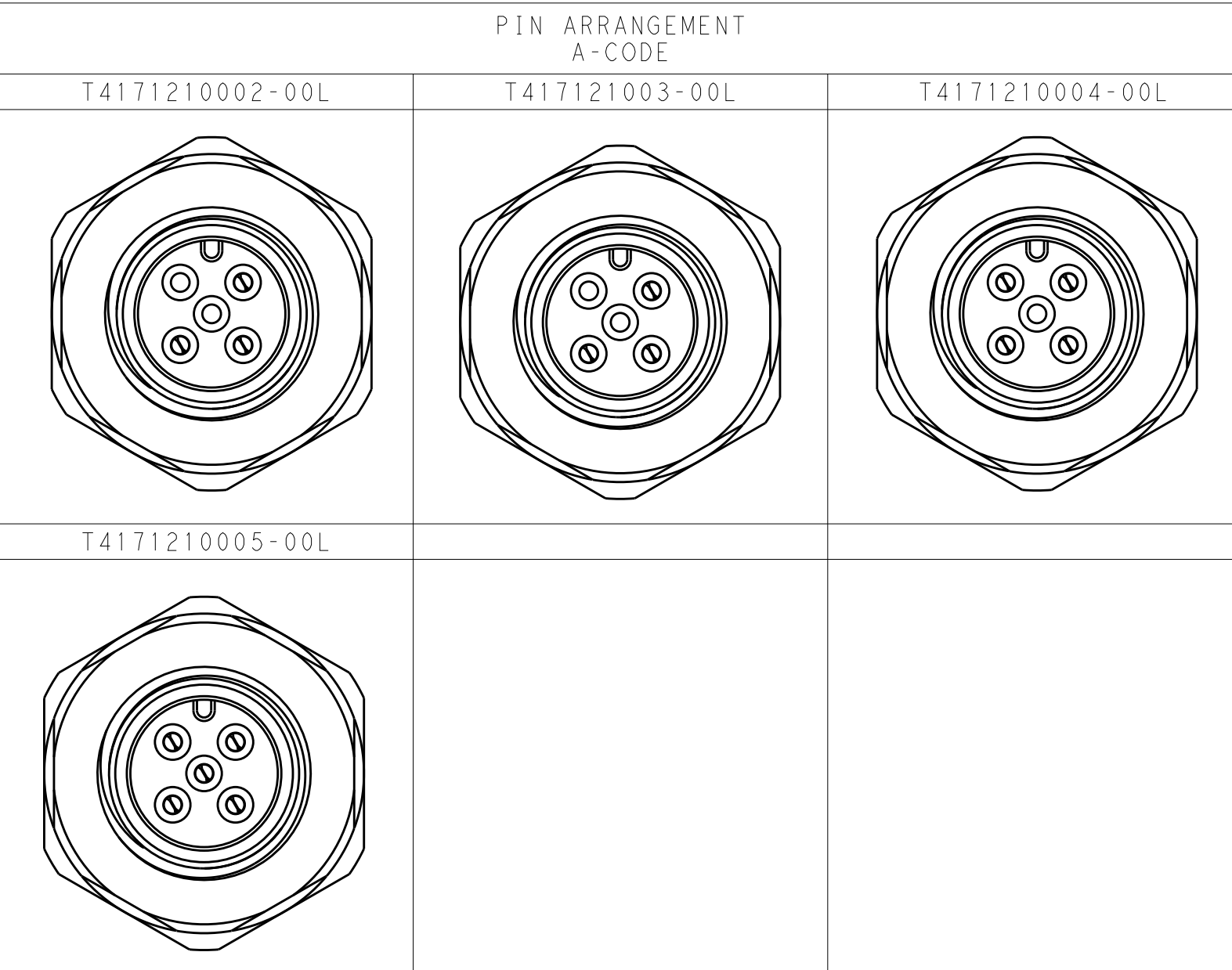
TABLE 1

| TECHNICAL DATA | T4171210002-00L | T4171210003-00L | T4171210004-00L | T4171210005-00L |
|-----------------------|-----------------|-----------------|-----------------|-----------------|
| RATED VOLTAGE | 250V | 250V | 250V | 60V |
| RATED CURRENT | 4A | 4A | 4A | 4A |
| POLLUTION DEGREE | 3 | 3 | 3 | 3 |
| OVERVOLTAGE CATEGORY | II | II | II | II |
| MATERIAL GROUP | II | II | II | II |
| CONTACT RESISTANCE | <=10mΩ | <=10mΩ | <=10mΩ | <=10mΩ |
| INSULATION RESISTANCE | >100MΩ | >100MΩ | >100MΩ | >100MΩ |
| DEGREE OF PROTECTION | IP67 | IP67 | IP67 | IP67 |
| OPERATION TEMPERATURE | -40~85°C | -40~85°C | -40~85°C | -40~85°C |

NOTE:
 1. TECHNICAL DATA: SEE TABLE 1
 2. PRODUCT COMPLIES WITH IEC61076-2-101
 3. PLASTIC INERT MATERIAL:UL LISTED WITH UL94V0 FLAME RATING
 4. CABLE LENGTH SEE TABLE 2

注释:
 1: 技术参数, 见表1
 2: 产品符合标准IEC61076-2-101
 3: 塑胶材料符合UL标准, UL-94V0阻燃等级
 4: 线长度见表2

| CABLE CHARACTERISTIC | CABLE LENGTH "L" | DESCRIPTION | POS | TABLE 2 PN |
|---|---|---------------------------|-----|-----------------|
| WIRES: 0.34MM^2(22AWG) WIRE PN AND COLOR: 1(BR)/2(WH)/3(BL)/4(BK)/5(GR) | -001: 0.2M -002: 0.5M -003: 1.0M -004: 1.5M | RPC-M12-MB-5CON-PG9-**LAU | 5 | T4171210005-00L |
| | -005: 3.0M -006: 5.0M -007: 7.0M -008: 10.0M | RPC-M12-MB-4CON-PG9-**LAU | 4 | T4171210004-00L |
| | | RPC-M12-MB-3CON-PG9-**LAU | 3 | T4171210003-00L |
| | | RPC-M12-MB-2CON-PG9-**LAU | 2 | T4171210002-00L |
| | | | | |



RECOMMENDED PANEL CUTOUT

| COMMENT | MATERIAL | DESCRIPTION | ITEM |
|------------|--------------|------------------------------|-----------|
| FLASH GOLD | COPPER ALLOY | CABLE CONTACT | 6 2 3 4 5 |
| - | COPPER ALLOY | METAL NUT | 5 2 3 4 5 |
| - | - | O-RING | 4 1 1 1 1 |
| - | - | O-RING | 3 1 1 1 1 |
| - | COPPER ALLOY | M12, MALE, METAL BODY | 2 1 1 1 1 |
| BLACK | NYLON | M12, MALE HSG, A CODE, 5PINS | 1 1 1 1 1 |

THIS DRAWING IS A CONTROLLED DOCUMENT.

DWN: BO GAO 01APR2016
 CHK: KOBBY ZHAO 01APR2016
 APVD: XIANG XU 01APR2016

TE Connectivity

NAME: M12 PANEL MOUNT CONNECTOR A CODE, FEMALE, FRONT MOUNTING

PRODUCT SPEC: 108-106140
 APPLICATION SPEC: 114-137144

SIZE: A2 CAGE CODE: - DRAWING NO: T417121000X00L RESTRICTED TO: -
 WEIGHT: - SCALE: 2:1 SHEET 1 OF 1 REV: A2

CUSTOMER DRAWING