

THIS DRAWING IS UNPUBLISHED. RELEASED FOR PUBLICATION
 © COPYRIGHT copyright.d8Te- ALL RIGHTS RESERVED.

REVISIONS				
P	LTR	DESCRIPTION	DATE	APVD
B		ECR-16-010100 UPDATE NAME	14JUL2016	L.Z X.X

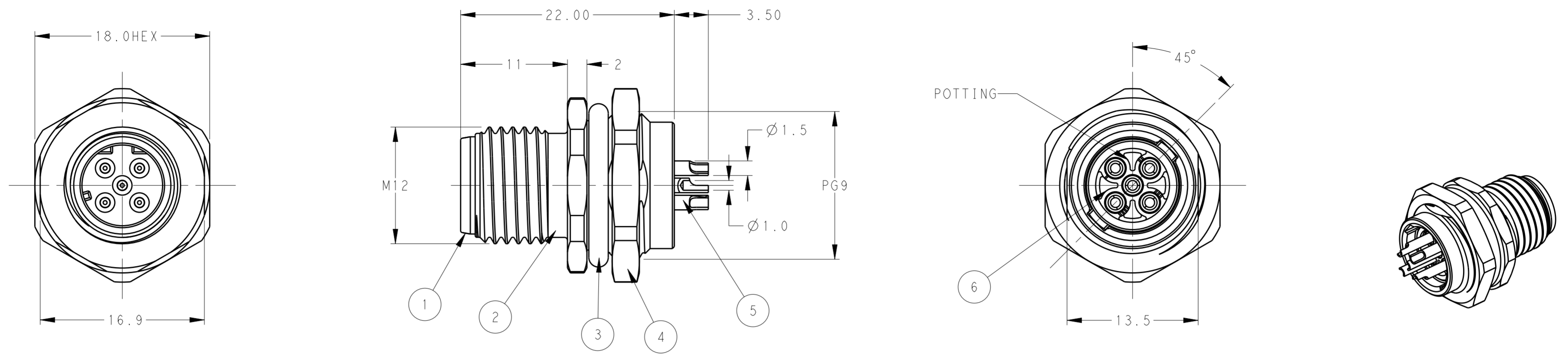


TABLE 1

TECHNICAL DATA	T4132512021-000	T4132512031-000	T4132512041-000	T4132512051-000
RATED VOLTAGE	250V	250V	250V	60V
RATED CURRENT	4A	4A	4A	4A
POLLUTION DEGREE	3	3	3	3
OVERVOLTAGE CATEGORY	II	II	II	II
MATERIAL GROUP	II	II	II	II
CONTACT RESISTANCE	$\leq 10m\Omega$	$\leq 10m\Omega$	$\leq 10m\Omega$	$\leq 10m\Omega$
INSULATION RESISTANCE	$> 100M\Omega$	$> 100M\Omega$	$> 100M\Omega$	$> 100M\Omega$
DEGREE OF PROTECTION	IP67	IP67	IP67	IP67
OPERATION TEMPERATURE	-40~85°C	-40~85°C	-40~85°C	-40~85°C

NOTE:
 1. TECHNICAL DATA: SEE TABLE 1
 2. KEY CHARACTER PER SPEC 407-55
 3. PRODUCT COMPLIES WITH IEC61076-2-101
 4. "①" SHOWS INSPECTION NO.
 5. GEOMETRIC DIMENSIONING AND TOLERANCING PER TEC-402-7
 6. PLASTIC INERT MATERIAL: UL LISTED WITH UL94V0 FLAME RATING
 7. ALL MATERIALS TO BE LOW HALOGEN(<900PPM) PER TEC-138-705
 8. ALL MATERIALS TO BE ROHS COMPLIANT PER TEC-138-705
 9. ALL MATERIALS TO BE REACH COMPLIANT PER TEC-138-705
 10. PN INFORMATION FOR ASSEMBLY PARTS

注释:
 1: 技术参数, 见表1
 2: 关键尺寸参照TE标准407-55
 3: 产品符合标准IEC61076-2-101
 4: "①" 标识检测尺寸序号
 5: 几何尺寸及公差按照TE标准TEC-402-7
 6: 塑胶材料符合UL标准, UL-94V0阻燃等级
 7: 所有材料符合无卤(<900PPM)参照标准TEC-138-705
 8: 所有材料符合ROHS参照标准TEC-138-705
 9: 所有材料符合REACH参照标准TEC-138-705
 10: 成品料号信息如下:

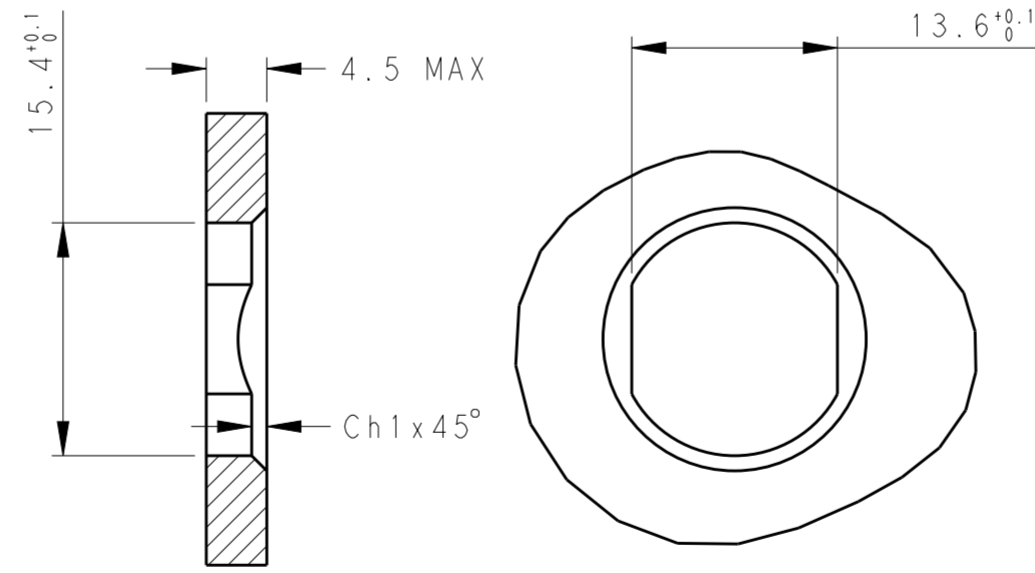
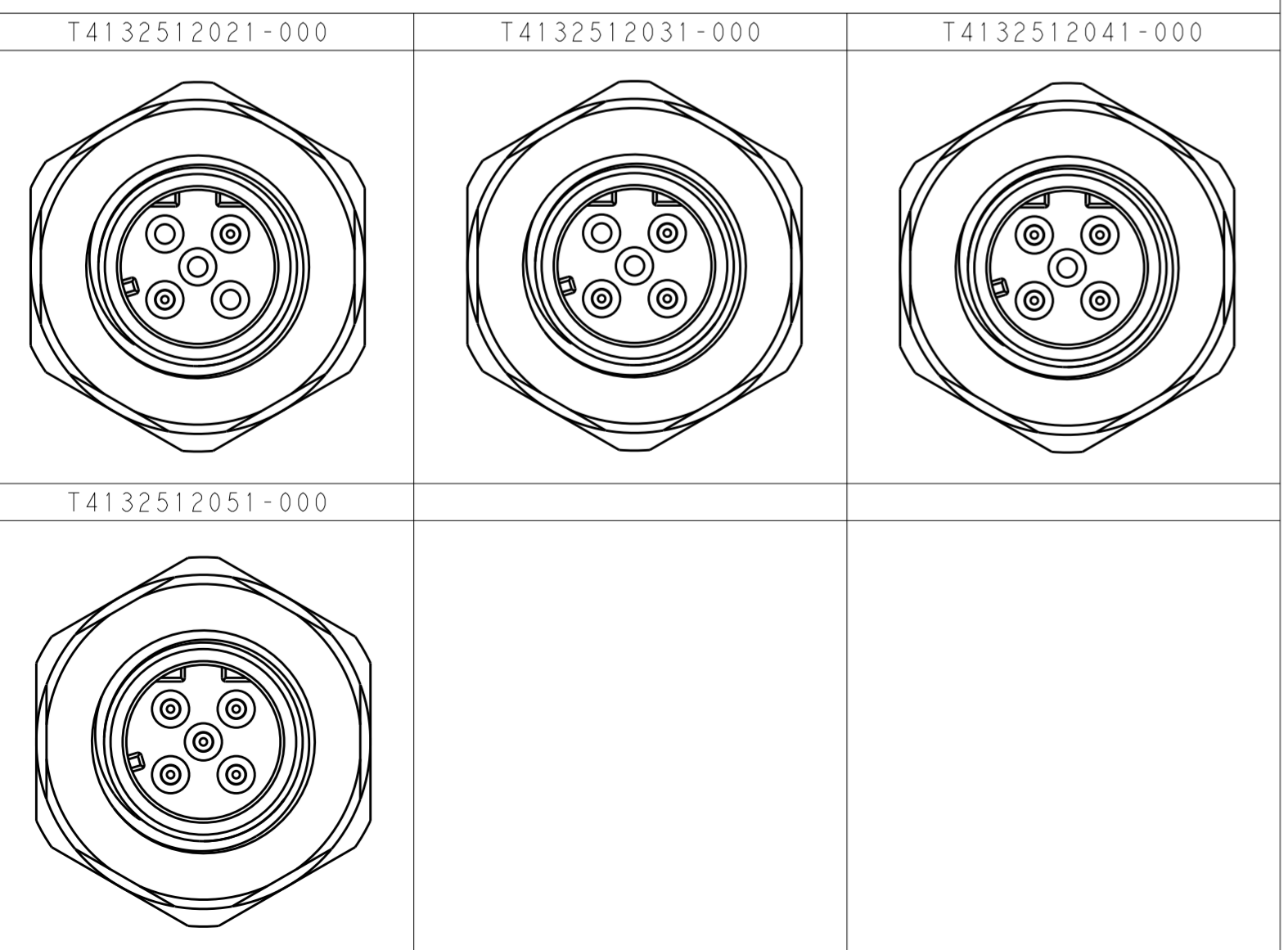
T41325120X1-000

CONTACT FINISH:
 1: GOLD 3u'' OVER NICKEL 80u''
 NUMBER OF PINS:
 02: 2 PINS
 03: 3 PINS
 04: 4 PINS
 05: 5 PINS

T41325120X1-000

端子电镀:
 1: 至少3u''金, 80u''镍打底
 针数:
 02: 2 针
 03: 3 针
 04: 4 针
 05: 5 针

PIN ARRANGEMENT D-CODE



RECOMMENDED PANEL CUTOUT

TE PN	TYPE
T4132512021-000	RPC-M12D-MB-2CON-PG9-LAU
T4132512031-000	RPC-M12D-MB-3CON-PG9-LAU
T4132512041-000	RPC-M12D-MB-4CON-PG9-LAU
T4132512051-000	RPC-M12D-MB-5CON-PG9-LAU

	EPOXY RESIN	POTTING ADHESIVE	6	1	1	1	1
3u'' GOLD MIN.	COPPER ALLOY	CONTACT	5	2	3	4	5
200u'' NICKEL MIN.	COPPER ALLOY	METAL NUT	4	1	1	1	1
-	-	O-RING	3	1	1	1	1
200u'' NICKEL MIN.	COPPER ALLOY	M12, MALE, METAL BODY	2	1	1	1	1
-	PA66	M12, MALE HSG	1	1	1	1	1

PLATING	MATERIAL	DESCRIPTION	ITEM
			T4132512021-000
			T4132512031-000
			T4132512041-000
			T4132512051-000

THIS DRAWING IS A CONTROLLED DOCUMENT.

DWN BO GAO 29-Jan-16
 CHK KOBBY ZHAO 29-Jan-16
 APVD XIANG XU 29-Jan-16

TE Connectivity

M12 PANEL MOUNT CONNECTOR
 D CODE, MALE, FRONT MOUNTING

SIZE A2 CAGE CODE - DRAWING NO. G-T41325120X1000 RESTRICTED TO -
 SCALE 3:1 SHEET 1 OF 1 REV B

PRODUCT SPEC 108-106140
 APPLICATION SPEC 114-137144
 WEIGHT -
 CUSTOMER DRAWING