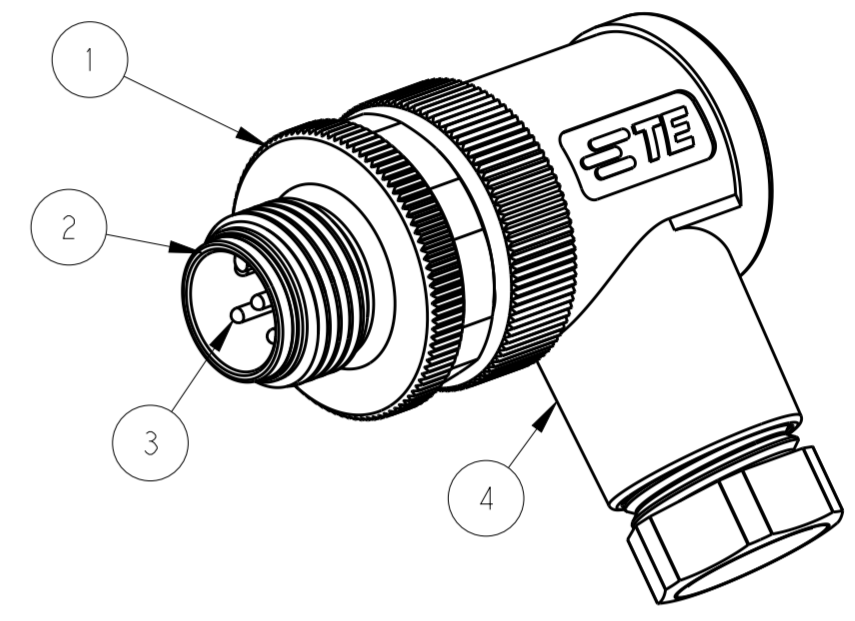
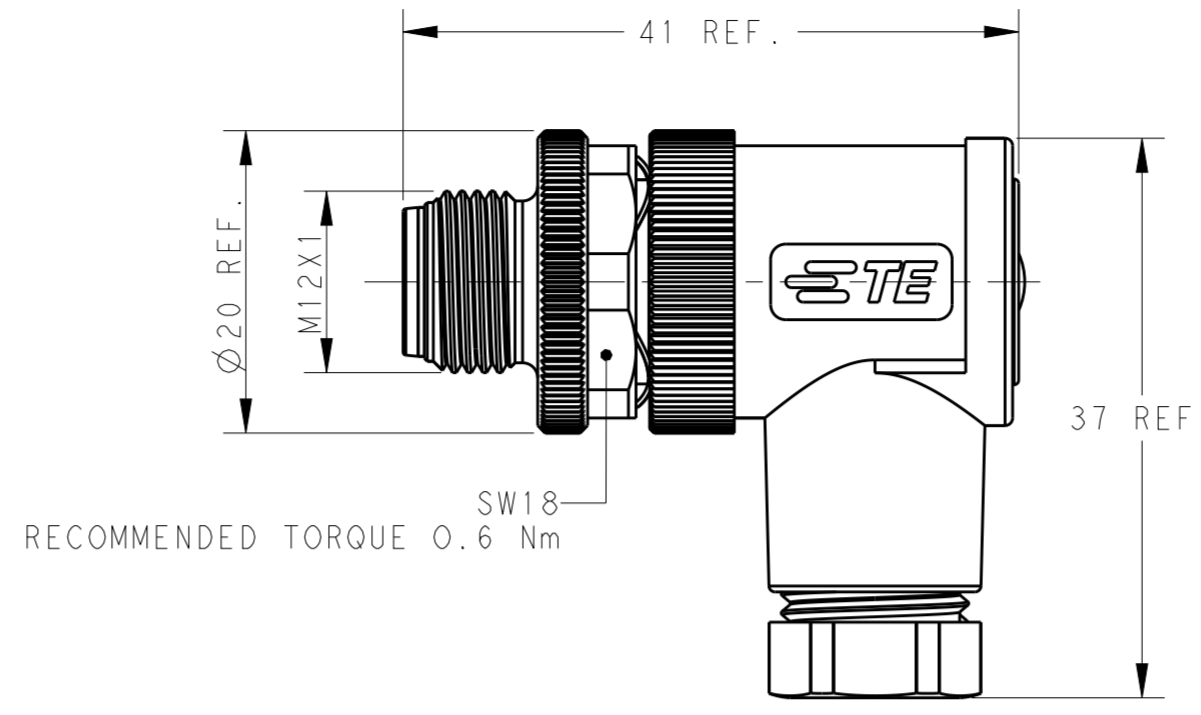
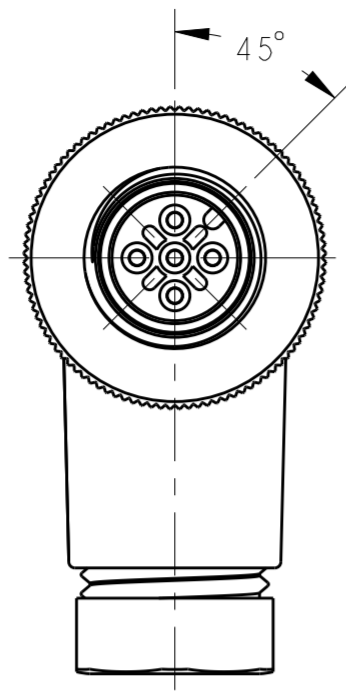


THIS DRAWING IS UNPUBLISHED. RELEASED FOR PUBLICATION 20
 © COPYRIGHT 20 BY - ALL RIGHTS RESERVED.

REVISIONS					
P	LTR	DESCRIPTION	DATE	DWN	APVD
	A	INITIAL RELEASE	29JUL2015	N.P	X.X
	A1	ECR-15-012625 CORRECT TYPE	20AUG2015	N.P	X.X
	A2	ECR-15-018715 ADD 114 SPEC.	29DEC2015	NP	XX



TECHNICAL DATA	T411300X02X-000	T411300X03X-000	T411300X04X-000	T411300X05X-000	T411300X08X-000
RATED VOLTAGE	250V	250V	250V	60V	30V
RATED CURRENT	4A	4A	4A	4A	2A
POLLUTION DEGREE	3	3	3	3	3
OVERVOLTAGE CATEGORY	II	II	II	II	II
MATERIAL GROUP	II	II	II	II	II
CONTACT RESISTANCE	≤8mΩ	≤8mΩ	≤8mΩ	≤8mΩ	≤8mΩ
INSULATION RESISTANCE	>100MΩ	>100MΩ	>100MΩ	>100MΩ	>100MΩ
DEGREE OF PROTECTION	IP67	IP67	IP67	IP67	IP67
OPERATION TEMPERATURE	-40~85°C	-40~85°C	-40~85°C	-40~85°C	-40~85°C

NOTE:
 1. MATERIAL:
 ITEM NO.1: NUT -BRASS
 ITEM NO.2: HOUSING -PA
 ITEM NO.3: CONTACT -BRASS
 ITEM NO.4: HOUSING BODY: -PBT+GF
 2. CONTACT FINISH:
 GOLD OVER NICKEL OR SILVER OVER NICKEL
 3. CABLE WIRES:
 18AWG/0.75mm² Max. FOR 2-5 PINS
 20AWG/0.50mm² Max. FOR 8 PINS
 4. ALL DIMENSIONS ARE FOR NOMINAL REFERENCE ONLY UNLESS OTHERWISE STATED
 5. PACKAGEING: 1PIECE IN A BAG
 6. PN INFORMATION

PIN ARRANGEMENT A-CODE		
T411300X02X-000	T411300X03X-000	T411300X04X-000

T4113002081-000	RPC-M12A-MR-8CON-PG9-MU
T4113002082-000	RPC-M12A-MR-8CON-PG9-M
T4113001081-000	RPC-M12A-MR-8CON-PG7-MU
T4113001082-000	RPC-M12A-MR-8CON-PG7-M
T4113002051-000	RPC-M12A-MR-5CON-PG9-MU
T4113001051-000	RPC-M12A-MR-5CON-PG7-MU
T4113002052-000	RPC-M12A-MR-5CON-PG9-M
T4113001052-000	RPC-M12A-MR-5CON-PG7-M
T4113002041-000	RPC-M12A-MR-4CON-PG9-MU
T4113001041-000	RPC-M12A-MR-4CON-PG7-MU
T4113002042-000	RPC-M12A-MR-4CON-PG9-M
T4113001042-000	RPC-M12A-MR-4CON-PG7-M
T4113002031-000	RPC-M12A-MR-3CON-PG9-MU
T4113001031-000	RPC-M12A-MR-3CON-PG7-MU
T4113002032-000	RPC-M12A-MR-3CON-PG9-M
T4113001032-000	RPC-M12A-MR-3CON-PG7-M
T4113002021-000	RPC-M12A-MR-2CON-PG9-MU
T4113001021-000	RPC-M12A-MR-2CON-PG7-MU
T4113002022-000	RPC-M12A-MR-2CON-PG9-M
T4113001022-000	RPC-M12A-MR-2CON-PG7-M
TE PN	TYPE

T411300XXX-000
 CONTACT FINISH:
 1: GOLD OVER NICKEL
 2: SILVER OVER NICKEL
 NUMBERS OF PINS:
 02: 2 PINS
 03: 3 PINS
 04: 4 PINS
 05: 5 PINS
 08: 8 PINS
 CABLE OUTLET:
 1: PG7(CABLE FEED: 4-6mm)
 2: PG9(CABLE FEED: 6-8mm)
 BRAND:
 T: W/ TE LOGO
 N: W/O LOGO

THIS DRAWING IS A CONTROLLED DOCUMENT.		DWN HAO WANG 08DEC2014	TE Connectivity	
		CHK KOBBY ZHAO 08DEC2014		
DIMENSIONS: mm		APVD XIANG XU 08DEC2014	NAME M12 MALE, A CODE, RA UNSHIELDED CONNECTOR SCREW TERMINAL	
TOLERANCES UNLESS OTHERWISE SPECIFIED: 0 PLC ±0.2 1 PLC ±0.2 2 PLC ±0.2 3 PLC ± 4 PLC ± ANGLES ±2 FINISH		PRODUCT SPEC 108-106140	SIZE A2 CAGE CODE - DRAWING NO. G-T411300XXXX000 RESTRICTED TO	
MATERIAL -		APPLICATION SPEC 114-137144	SCALE 2:1 SHEET 1 OF 1 REV A2	
		WEIGHT -	Customer Drawing	