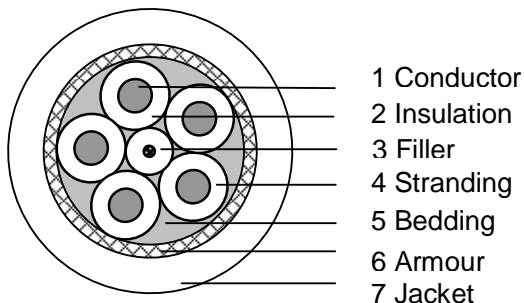


**APPLICATION**

Triple protected highly flexible PVC insulated and sheathed power cable for exceptional mechanical and electrical protection, generally in accordance with VDE0250

**CONSTRUCTION**



<b>1. Conductor</b>	Material Dimensions	Stranded bare copper 50x0.25 mm (2.50 mm <sup>2</sup> )
<b>2. Insulation</b>	Material Diameter	PVC 3.40 ± 0.05 mm
<b>3. Filler</b>	Material Diameter	PVC 2.50 mm
<b>4. Stranding</b>	Lay up Colours	5 cores stranded Yellow/Green, Blue, Brown, Black and Grey
<b>5. Bedding</b>	Material Diameter Nominal wall	PVC 10.20 ± 0.20 mm 0.45 mm
<b>6. Armour</b>	Material Diameter Coverage	Galvanized steel wire 11.28 mm 64 %
<b>7. Jacket</b>	Material Diameter Nominal wall	PVC 13.48 ± 0.30 mm 1.10 mm

**CONTROLFLEX SY LEADFREE**  
**5\*2.50 mm2 blk.****REQUIREMENTS AND TEST METHODS****Electrical:**

Voltage rating conductor to earth	300 V RMS
Voltage rating conductor to conductor	500 V RMS
Maximum resistance conductor @ 20°C	7.98 Ω/km
Maximum continuous current per conductor @ 25°C	0.8 x 25 A

**Mechanical and physical:**

Temperature range processing	-5 to +70 °C
Temperature range operating (moving installation)	-5 to +70 °C
Temperature range operating (fixed installation)	-30 to +70 °C
Temperature range storage	-30 to +70 °C
Nominal weight per 100m	26.3 kg
Maximum pulling tension	875 N
Minimum bending radius	10 x D



Belden CDT believes this product to be in compliance with the environmental regulations EU RoHS (Directive 2002/95/EC, 27 January 2003); this is valid for all material produced after the RoHS compliant date for this product.