

Country of Origin : China
 Operating Temperature : 0~40 [°C]
 Dimension : 82.3 x 71.1 x 34.5 [mm]
 Efficiency level (ErP) : V



Approvals / Marks :



Specifications

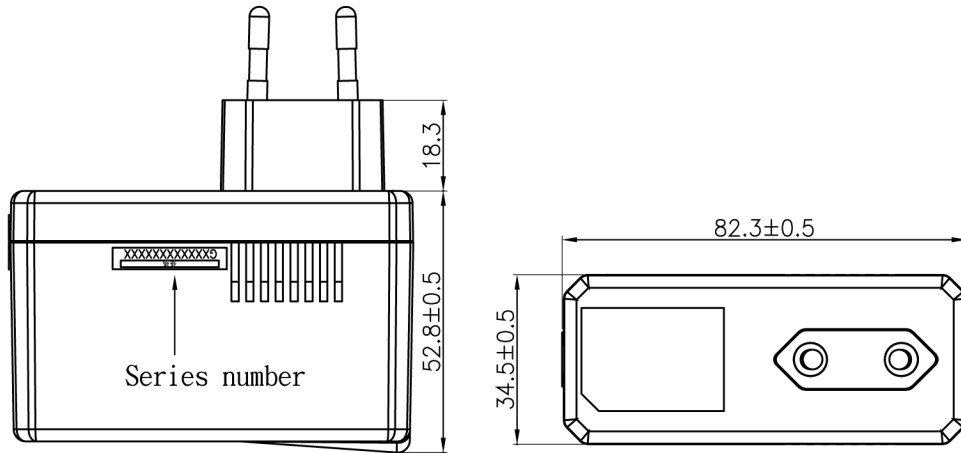
Model	Voltage DC [V]	Loading [A]	Max. Power [W]	Ripple / Noise [mV] p-p	Connector [mm]
SYS1452-3012-W2E	12	0~2.5	30.1	200	2.1x5.5x9.5

Features:

Output connector: standard: 2.1 x 5.5 x 9.5mm or customer requirement | Regulated Output With Low Ripple Noise | Safety Agency Requirements and EMI/EMS Certified
 Private Label Marking Available | Modified and Custom Design Available | 2 Years Warranty

OUTPUT		EMC	
Turn delay	7000 ms max @ AC low line input@output full load	Meet EN550022 class B, FCCpart 15 Sub part B class B	
Hold up time	5ms min@AC nominal input@output full load (>half cycle)	EN 60950-1:2006+A11 LVD2006/95/EC IEC 60950-1:2005	
Efficiency (Normal)	Meet CEC, ERP Level V @115v/60HZ,230V/50HZ	SAFETY	
Transient response (dv,tmax)	0.3v dv max At AC nominal input loading from 50% load to max load or peak load 8ms tmax Dynamic rise time 10uS max , duty 40mS max , Dynamic load step is slew rate of 0.5A/uS	GS CB CE	
Power out.Limit	-	OTHERS	
Burn in limit	Full load 2 Hours	Dielectric Strength(Hi-pot)	Primary to Secondary:3000VAC 10mA/60S
Power consumption	Less than 0.03W rms max. At AC nominal input@output no load	M.T.B.F	500,000 Calculated Hours at 25°C, by Telcordia SR-332
INPUT		Cable Length	1800mm (6 feet) standard cable or as required
Voltage	(90~264)VAC	PLD (power line disturbance)	Line power surge Line voltage SAG-more info on request
Frequency	(47~63)hz	Cooling method	Natural Convection Cooling
Current	1A rms @ AC low line input and DC output full load	Housing material	PC
Inrush Surge Current (cold start)	30/60A max@power supply cold start,ambient temperature 25°C @115Vac/230Vac nominal AC input	Temperature coefficient:	<±0.5%/°C
leakage current	0.25mA Max	ENVIRONMENT	
PROTECTION		Temperature	Operating: 0~40°C / Storage: -20%~85%RH non condensing
Over current/ Short protection	The power supply will self-protect any output to ground and auto recovery when abnormal circuit faults remove. An output short circuit is defined as any output impedance of less than 0.1 ohms.	Humidity	Operating: 8%~90%RH / Storage: 5%~95% RH non condensing
Over Voltage	The power supply will be auto recovered when faults remove	WEIGHT	
Input protection	2.0AL/250V Fuse. F2 connected from MOV(Varistor) to remaining PS circuitry to protect PS from excessive current draw.	1PC	NW: 127g/pc
No Load protection	The power supply is provided with no load operation to prevent the power supply and system from damage.		GW: 12,3kg/box
Protection class	II, (ITU-T K.21 Surge 6KV on request)	PACKING	
		PE plastic bag	64 pcs /1 box

Mechanical case specification:



Cable specification:

