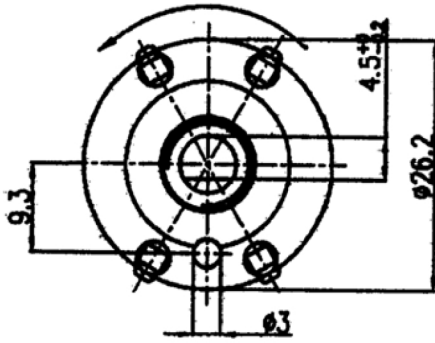
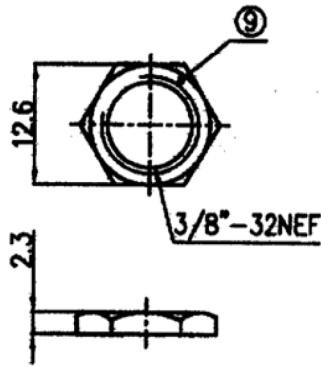


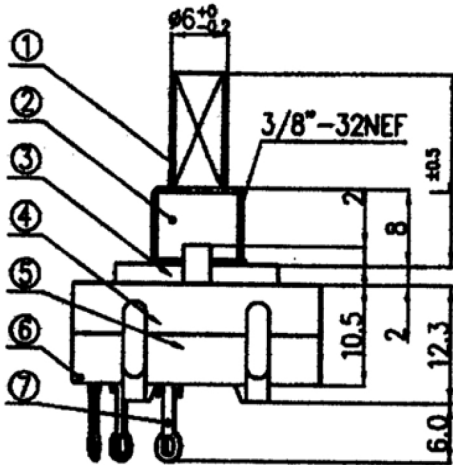
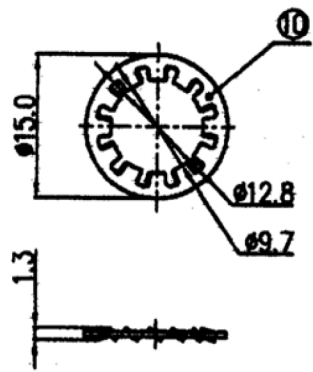
DIRECTION OF ROTATION



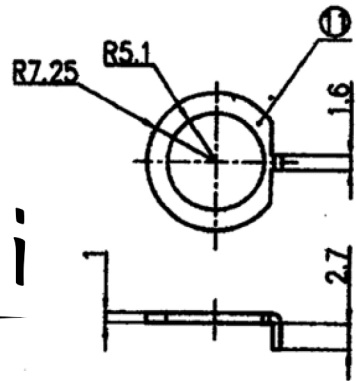
NUT 1PC



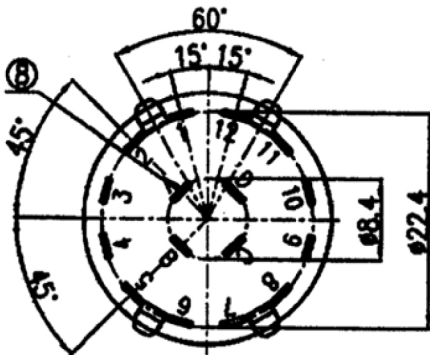
WASHER 1PC t=0.5



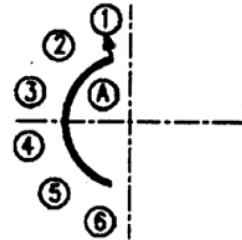
LOCK WASHER 1PCS



Ninigi



SCHEMATIC



11	SR2630	Lock Washer	1	SPCE-t=1.0	MFN-II
10	W-3/8"	Washer	1	Steel t=0.5	Zinc Plating
9	N-3/8"	NUT	1	Steel t=2.3	Zinc Plating
8	SR26106-6	Internal terminal	1	Brass	Silver Plating
7	SR262106M	External terminal	6	Brass	Silver Plating
6	SR2611-4C	Element	1	Nylon+30%FB	No Plating
5	SR2527	Steel Ball	2	Steel	Silver Plating
4	SR2615	Spring	1	SIIPA	Silver Plating
3	SR2608A	Contact Plate	1	Phosphor-bronze	Silver Plating
2	SR2609	Case	1	Nylon+30%FB	No Plating
1	SR2601-F	Shaft	1	POM	No Plating

NO	MODEL	F	L	NO	MODEL	F	L
✓	15F	7	15		13F	5	13
	16F	10	18		17F	9	17
	26F	20	28		21F	13	21
	36F	30	38		23F	15	23
					33F	25	33

NO	Part No	Description	QTY	Material	Finishing	MODEL NAME	SR261-1-6-15F-N	A
TOLERANCES		DIMENSION	SCALE	DRAWING BY	CHECKED BY	APPROVED BY	DRAWING NO.	
less than 10	± 0.3	m/m	/				SR261-066	
above 10 - 30	± 0.5						Switch\SR261\Spec	
above 30 - 100	± 1.0							
angular dimension	± 5'							