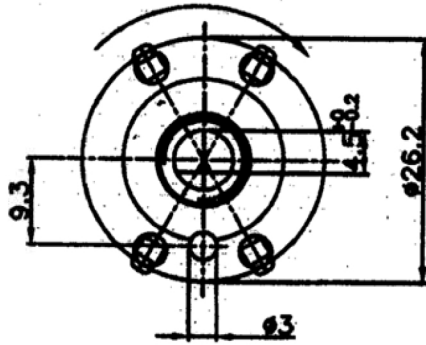
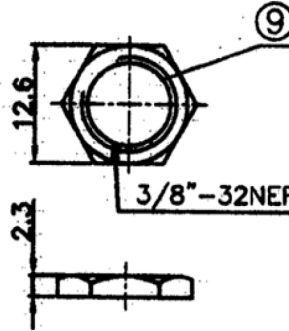


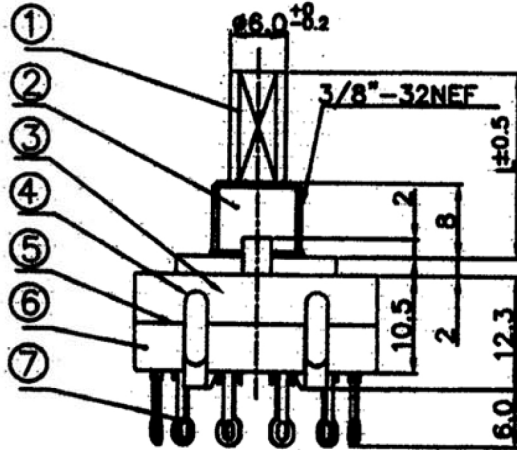
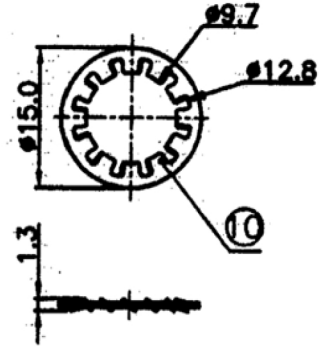
DIRECTION OF ROTATION



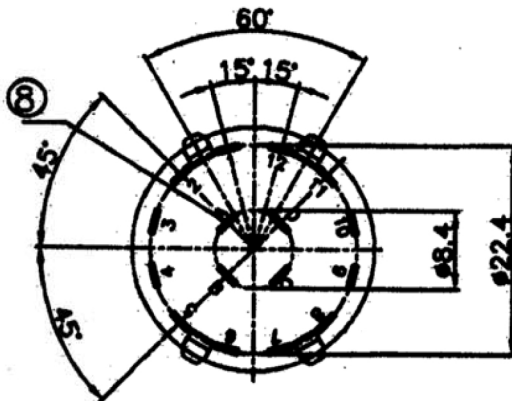
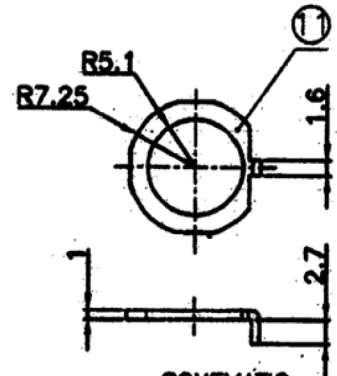
NUT 1PC



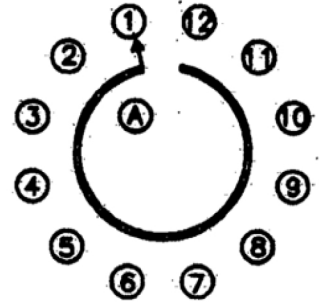
WASHER 1PC t=0.5



LOCK WASHER 1PCS



Ninigi



SCHEMATIC

MODEL	L	MODEL	L
38F	38	✓ 15F	15
33F	33	13F	13
30F	30		
28F	28		
25F	25		
23F	23		
20F	20		
18F	18		

NO	Part No	Description	QTY	Material	Finishing
11	SR2630	Lock Washer	1	SPCE-1 t=1.0	MFN-8
10	W-3/8"	Washer	1	Stell t=0.5	Zinc Plating
9	N-3/8"	NUT	1	Stell t=2.3	Zinc Plating
8	SR26105-12	Internal terminal	1	Brass	Silver Plating
7	SR26105N	External terminal	12	Brass	Silver Plating
6	SR2611-4C	Element	1	NYLON+30%FB	No Plating
5	SR2527	Stell Ball	2	Stell	Silver Plating
4	SR2615	Spring	1	SWPA	Silver Plating
3	SR2606A	Contact Plate	1	Phosphor-bronze	Silver Plating
2	SR2609	Case	1	NYLON+30%FB	No Plating
1	SR2601-F	Shaft	1	POM	No Plating

△			
△			
△			

MODEL: SR261-1-12-15F-N B

Oct.28'09

TOLERANCES		DIMENSION	SCALE	DRAWING BY	CHECKED BY	APPROVED BY	DRAWING NO.
less than 10	± 0.3	m/m	/				SR261-044
above 10 - 30	± 0.5						
above 30 - 100	± 1.0						
angular dimension	± 5'						Switch\SR26\Spec