



X CLOSE

Detector Switch > SPVQ1 Series > SPVQ130200

Water-proof Type SPVQ1 Series

| [Dimensions](#) | [Circuit Diagram](#) | [Packing Specifications](#) | [Soldering Conditions](#) |



Part number [Series Common Info](#)

SPVQ130200

NET SHOP

3D CAD

RoHS

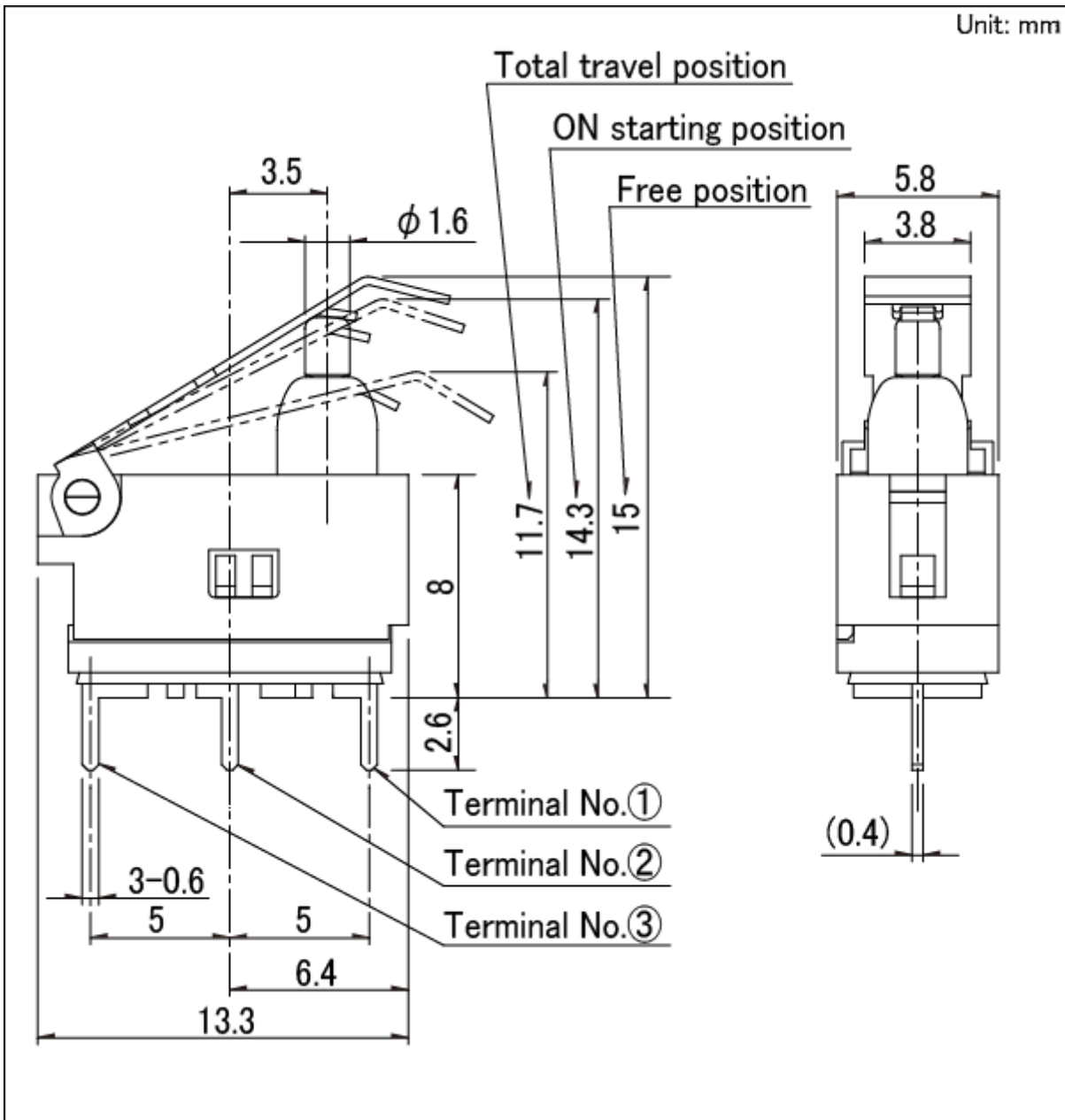
Print

Inquiry

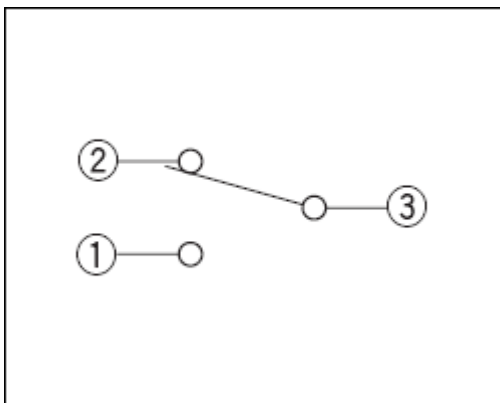
Poles	1	
Positions	2	
Changeover timing	Non shorting	
Operation part shape	Actuator A	
Terminal type	For PC board	
Operating force	5.9N max.	
Main body form	Without boss	
Operating temperature range		-40°C to +85°C
Rating (max.)/(min.) (Resistive load)		0.1A 12V DC/50 μA 3V DC
Electrical performance	Contact resistance (Initial/After operating	500mΩ max./1Ω

	life)	max.
	Insulation resistance	100M Ω min. 500V DC
	Voltage proof	500V AC for 1 minute
Mechanical performance	Terminal strength	3N for 1 minute
	Actuator strength	20N
	Operating life without load	300,000 cycles 1 Ω max.
Durability	Operating life with load Rating (max.) (Resistive load)	300,000 cycles 1 Ω max.
	Cold	-40°C 500h
Environmental performance	Dry heat	85°C 500h
	Damp heat	60°C, 90 to 95%RH 500h
Minimum order unit (pcs.)	Japan 600 Export 2,400	

Dimensions



Circuit Diagram



Packing Specifications

Tray

Number of	1 case / Japan	600
packages (pcs.)	1 case / export packing	2,400

Export package measurements (mm) 540 × 360 × 230

Soldering Conditions

Reference for Dip Soldering

Items	Preheating temperature	100 ± 10°C
	Preheating time	60s max.
Dip soldering	Soldering temperature	260 ± 5°C
	Duration of immersion	5 ± 1s

Reference for Hand Soldering

Soldering temperature	300 ± 10°C
Soldering time	3+1/0s

Notes are common to this series/models.

1. This site catalog shows only outline specifications. When using the products, please obtain formal specifications for supply.
2. This unit cannot be used in water (IP67 rating, except for terminal).
3. Please place purchase orders per minimum order unit (integer).
4. This products can be used in vehicles.

Although these products are designed to perform over a wide operating temperature range, please ensure that you receive and read the formal delivery specifications before use.

Inquiries about Products

[Inquiry](#)

COPYRIGHT© 2020 ALPS ALPINE CO., LTD