

ALPSALPINE**ALPSALPINE**

X CLOSE

Push Switch > SPPH4 Series > SPPH430100

2.2mm-travel Medium-sized Vertical Type SPPH4 Series

| [Dimensions](#) | [Mounting Hole Dimensions](#) | [Terminal Configuration](#) | [Circuit Diagram](#) |
 | [Packing Specifications](#) | [Soldering Conditions](#) |

Part number [Series Common Info](#)**SPPH430100**
 NET SHOP

 3D CAD

 RoHS

 Print

 Inquiry

Changeover timing Non shorting

Travel 2.2mm

Total travel 3mm

Operating force $2 \pm 1\text{N}$

Mounting method PC board

Poles 2

Operation Latching

Terminal type Snap-in

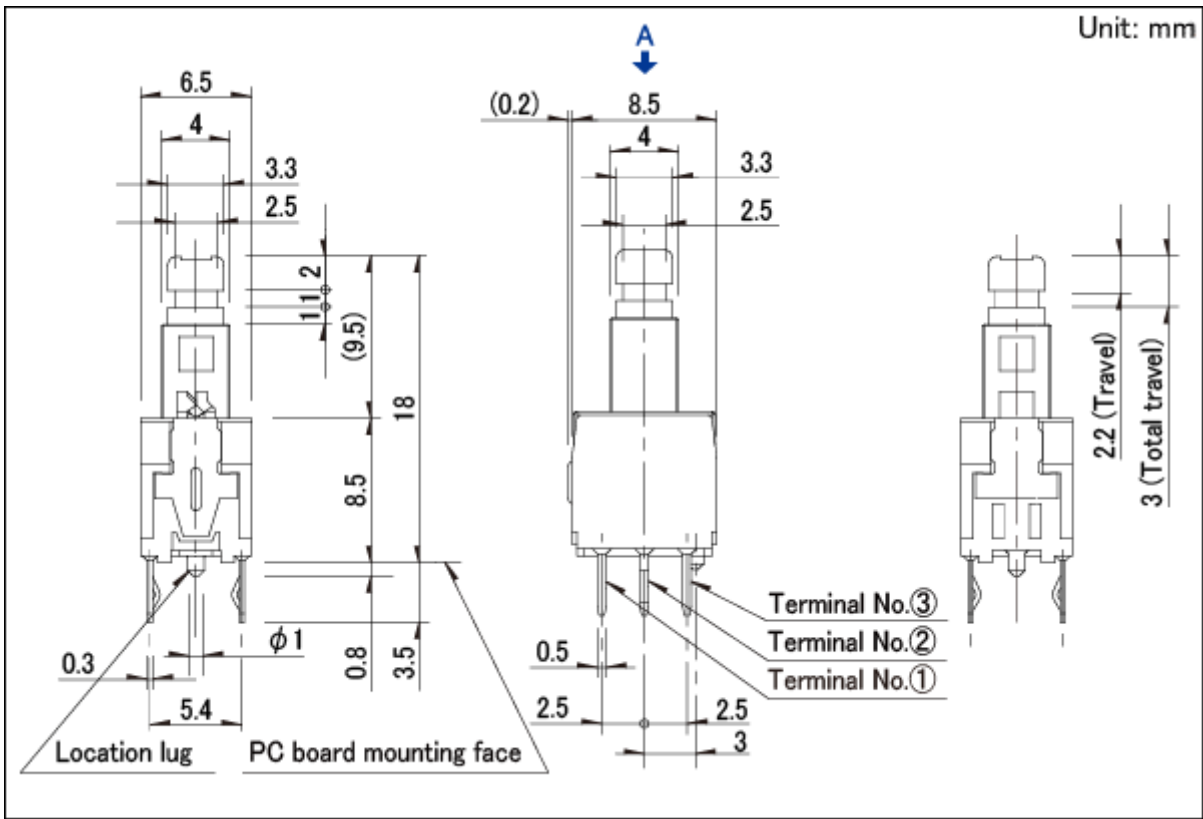
Location lug With

Operating temperature range

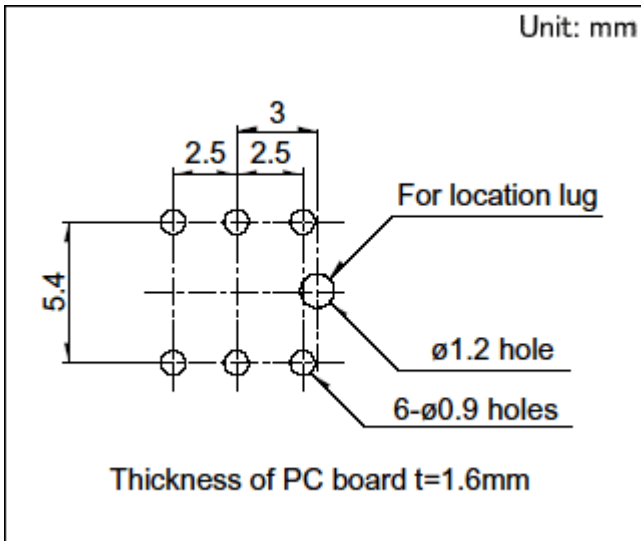
-10°C to +60°C

Rating (max.)/(min.) (Resistive load)			0.1A 30V DC/50 μ A 3V DC
Electrical performance	Contact resistance (Initial performance/After lifetime)		100m Ω max. (Initial performance)
	Insulation resistance		100M Ω min. 500V DC
	Voltage proof		500V AC for 1 minute
Mechanical performance	Terminal strength		5N for 1 minute
	Actuator strength	Operating direction	30N
		Pulling direction	10N
Durability	Operating life without load		10,000 cycles 100m Ω max.
	Operating life with load (at max. rated load)		10,000 cycles 100m Ω max.
	Cold		-20°C 96h
Environmental performance	Dry heat		85°C 96h
	Damp heat		40°C, 90 to 95%RH 96h
	Minimum order unit (pcs.)	Japan 1,200 Export 6,000	

Dimensions

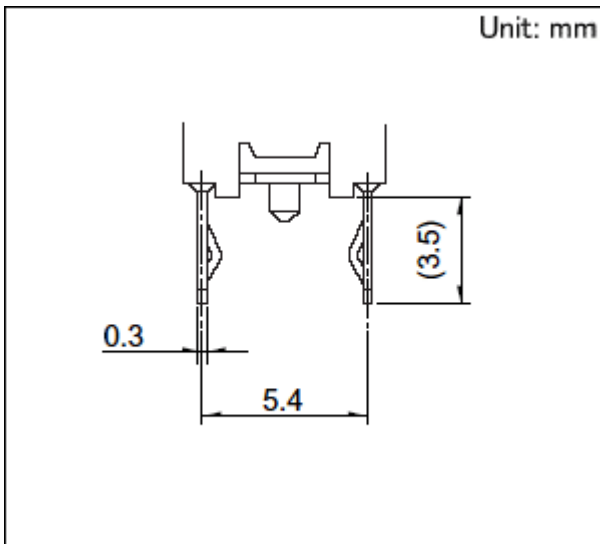


Mounting Hole Dimensions

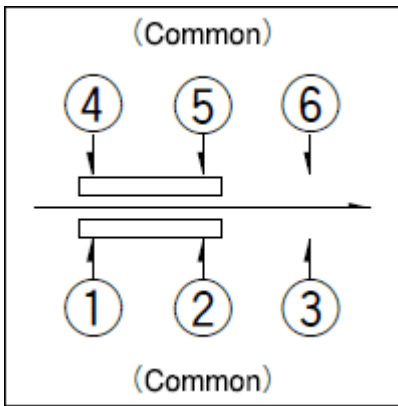


Viewed from direction A in the dimensions.

Terminal Configuration



Circuit Diagram



Packing Specifications

Bulk

Number of	1 case / Japan	1,200
packages (pcs.)	1 case / export packing	6,000

Export package measurements (mm) 400 × 270 × 290

Soldering Conditions

Reference for Dip Soldering

Items Preheating temperature-

	Preheating time	-
Dip soldering	Soldering temperature	$260 \pm 5^{\circ}\text{C}$
	Duration of immersion	$5 \pm 1\text{s}$

Reference for Hand Soldering

Soldering temperature	$350 \pm 5^{\circ}\text{C}$
Soldering time	$3+1/0\text{s}$

Notes are common to this series/models.

1. This site catalog shows only outline specifications. When using the products, please obtain formal specifications for supply.
2. Please place purchase orders per minimum order unit (integer).
3. Products other than those listed in the above chart are also available. Please contact us for details.

Inquiries about Products

[Inquiry](#)

COPYRIGHT© 2020 ALPS ALPINE CO., LTD