



X CLOSE

Surface Mount Type TACT Switch™ > SKRT Series > SKRTLBE010

## 4.5 × 3.4mm Side Push Type (Surface Mount) SKRT Series

| [Dimensions](#) | [Land Dimensions](#) | [Circuit Diagram](#) | [Packing Specifications](#) |  
 | [Soldering Conditions](#) |



Part number [Series Common Info](#)

SKRTLBE010

NET SHOP

3D CAD

RoHS

Print

Inquiry

Type	Surface mount
Operating force	1.6N
Operating direction	Side push
Travel	0.2mm
Operating life (5mA 5V DC)	100,000 cycles
Initial contact resistance	500mΩ max.
Guide bosses	Without
Series type	Sharp feeling type
Operating temperature	-30°C to +85°C

range

Rating (max.) 50mA 12V DC

Rating (min.) 10 $\mu$ A 1V DC

Electrical performance Insulation resistance 100M $\Omega$  min. 100V DC for 1min.

Voltage proof 250V AC for 1 min.

Durability Vibration 10 to 55 to 10Hz/min., the amplitude is 1.5mm for all the frequencies, in the 3 direction of X, Y and Z for 2 hours respectively

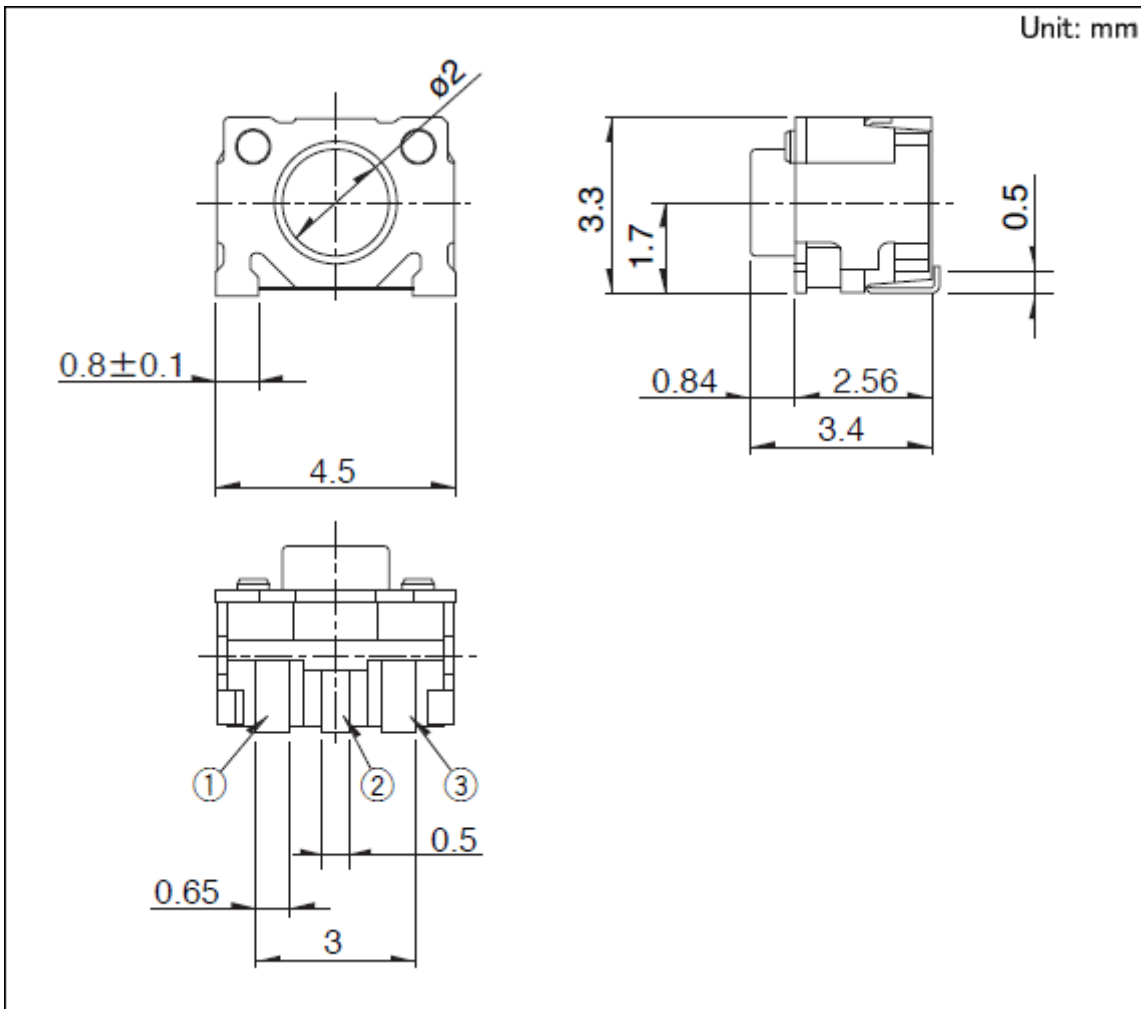
Cold -30 $\pm$ 2 $^{\circ}$ C for 96h

Environmental performance Dry heat 80 $\pm$ 2 $^{\circ}$ C for 96h

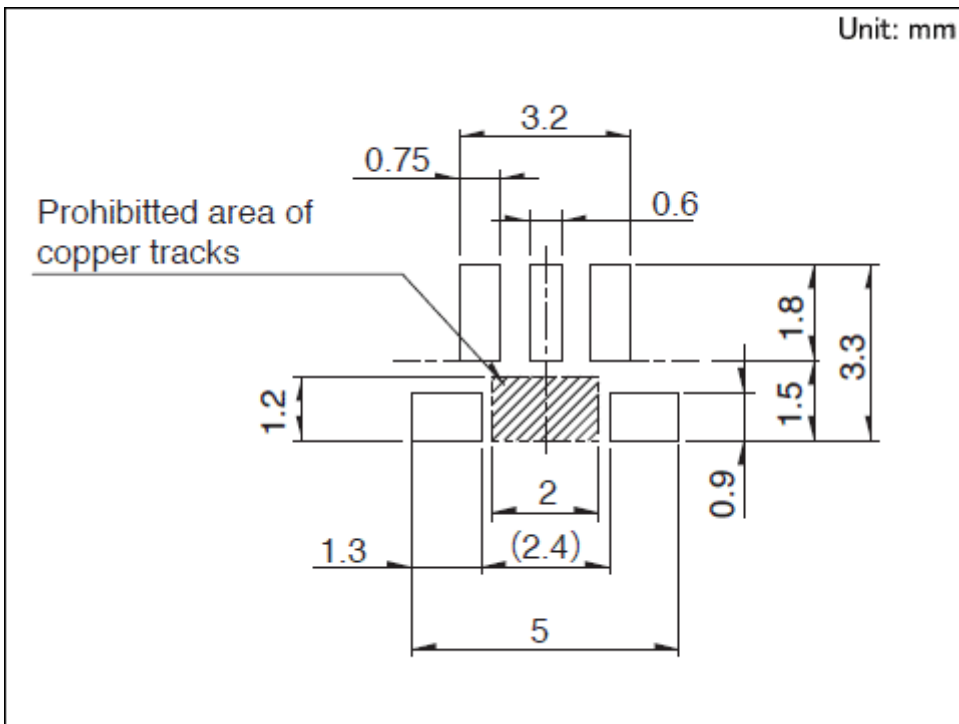
Damp heat 60 $\pm$ 2 $^{\circ}$ C, 90 to 95%RH for 96h

Minimum order unit (pcs.) Japan 3,000  
Export 3,000

## Dimensions

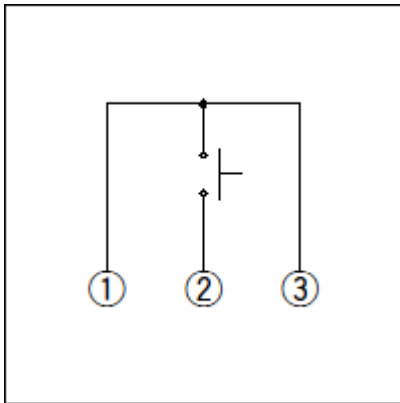


### Land Dimensions



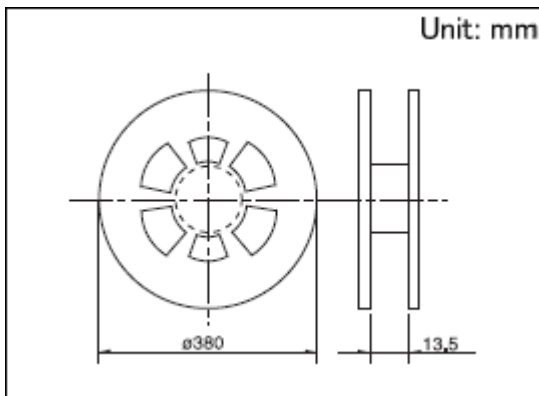
Viewed from switch mounting face

## Circuit Diagram



## Packing Specifications

### Taping



	1 reel	3,000
Number of packages (pcs.)	1 case / Japan	30,000
	1 case / export packing	30,000
Tape width (mm)		12
Export package measurements (mm)	395 × 395 × 205	

## Soldering Conditions

### Condition for Reflow

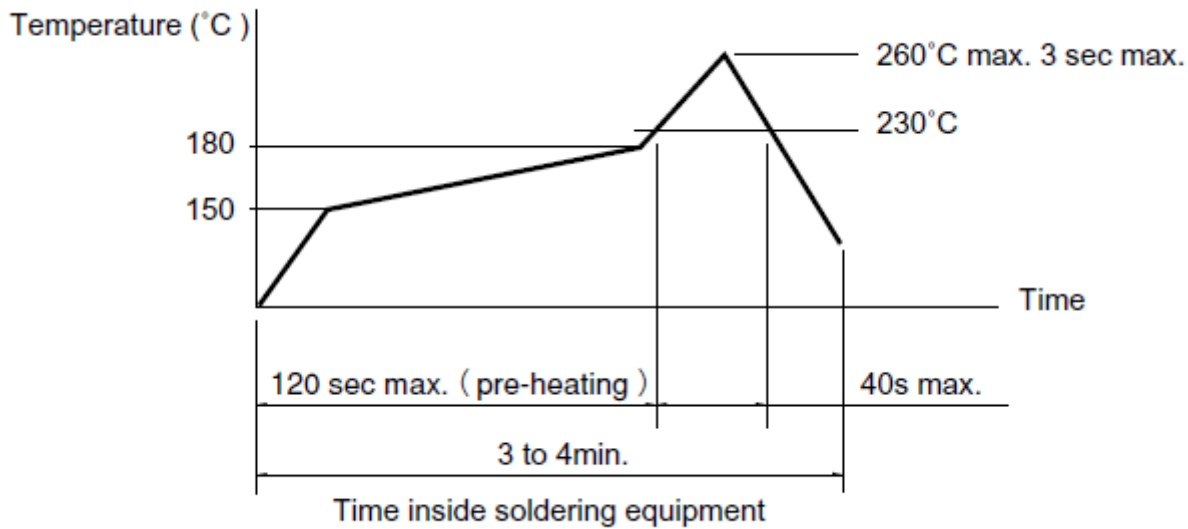
#### 1. Heating method

Double heating method with infrared heater.

## 2. Temperature measurement

Thermocouple 0.1 to 0.2  $\Phi$  CA(K) or CC(T) at solder joints (copper foil surface). A heat resisting tape should be used for fix measurement.

## 3. Temperature profile



(1) The above temperature shall be measured of the top of switch. There are cases where PC board's temperature greatly differs from that of the switch, depending on the material, size, thickness of PC board's and others. Care, should be taken to prevent the switch's surface temperature from exceeding 260°C.

(2) Soldering conditions differ depending on reflow soldering machines. Prior verification of soldering condition is highly recommended.

1. Do not washing the TACT Switch™.
2. Prevent flux penetration from the top side of the TACT switch™.
3. Switch terminals and a PC board should not be coated with flux prior to soldering.
4. The second soldering should be done after the switch returns to normal temperature.

## Notes are common to this series/models.

1. This site catalog shows only outline specifications. When using the products, please obtain formal specifications for supply.
2. Please place purchase orders for taping products per minimum order unit (1 reel or a case).
3. For  $\phi$  330mm diameter reel requirements, please contact us.
4. Please contact us for automotive use products.

## Inquiries about Products

[Inquiry](#)

COPYRIGHT© 2020 ALPS ALPINE CO., LTD