

ALPSALPINE

ALPSALPINE

X CLOSE

Surface Mount Type TACT Switch™ &gt; SKQY Series &gt; SKQYPBE010

## 6.1 × 3.7mm Compact High-speed Mounting Type (Surface Mount) SKQY Series

| [Dimensions](#) | [Land Dimensions](#) | [Circuit Diagram](#) | [Packing Specifications](#) |  
 | [Soldering Conditions](#) |

Part number [Series Common Info](#)**SKQYPBE010**
 NET SHOP

 3D CAD

 RoHS

 Print

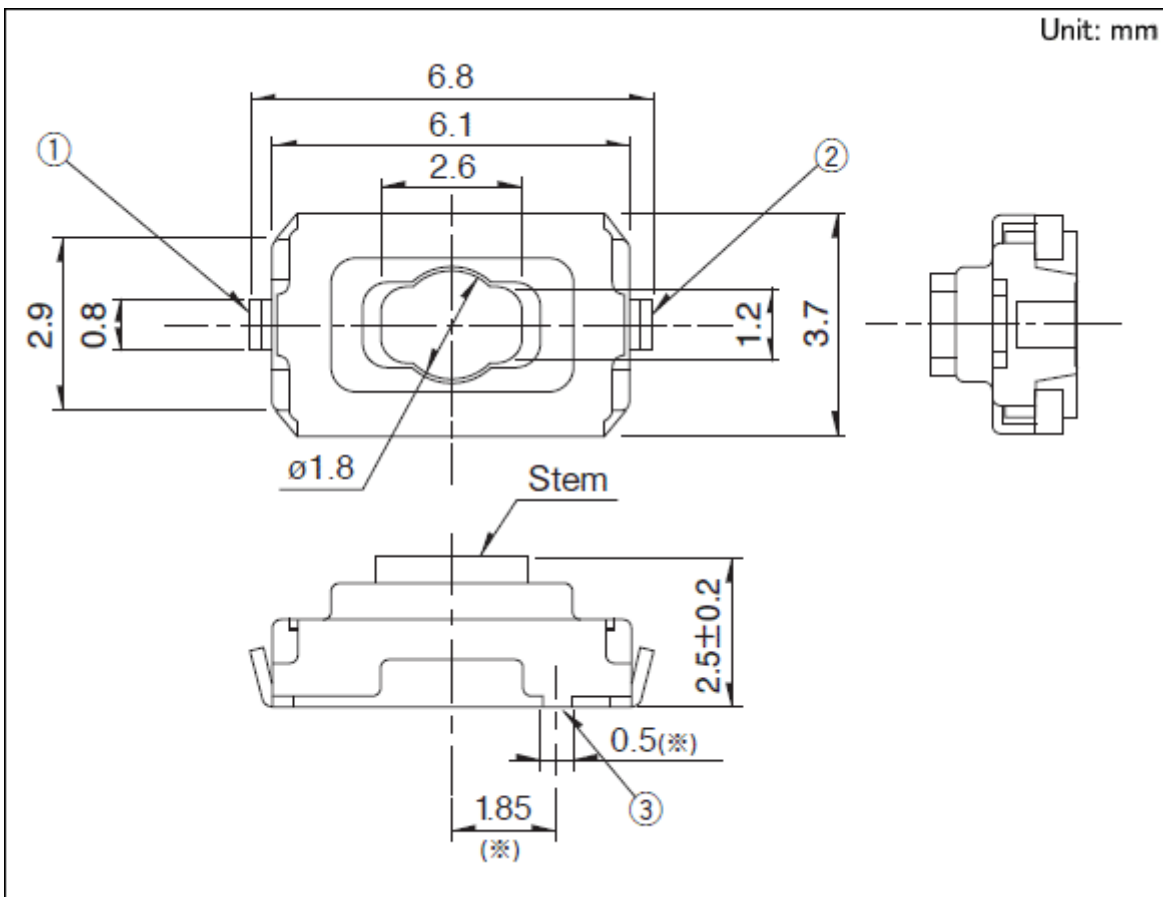
 Inquiry

With ground terminal type

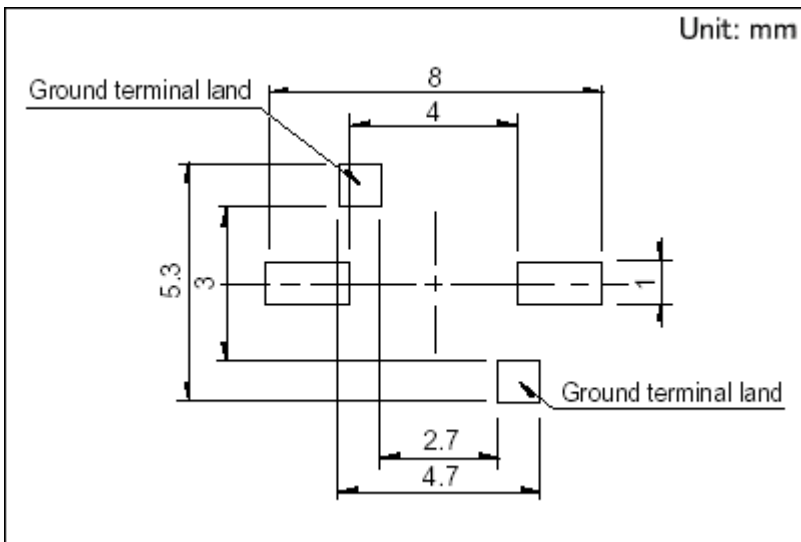
Type	Surface mount
Operating force	2.55N
Operating direction	Top push
Travel	0.25mm
Operating life (5mA 5V DC)	50,000 cycles
Initial contact resistance	500mΩ max.

Series type	Sharp feeling type	
Operating temperature range	-30°C to +85°C	
Rating (max.)	50mA 12V DC	
Rating (min.)	10μA 1V DC	
Electrical performance	Insulation resistance	100MΩ min. 100V DC for 1min.
	Voltage proof	250V AC for 1 min.
Durability	Vibration	10 to 55 to 10Hz/min., the amplitude is 1.5mm for all the frequencies, in the 3 direction of X, Y and Z for 2 hours respectively
	Cold	-30 ± 2°C for 96h
Environmental performance	Dry heat	80 ± 2°C for 96h
	Damp heat	60 ± 2°C, 90 to 95%RH for 96h
Minimum order unit (pcs.)	Japan	3,000
	Export	3,000

## Dimensions

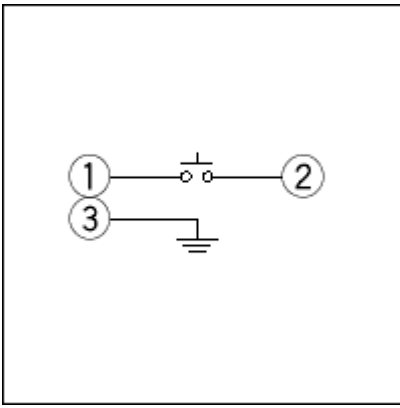


## Land Dimensions



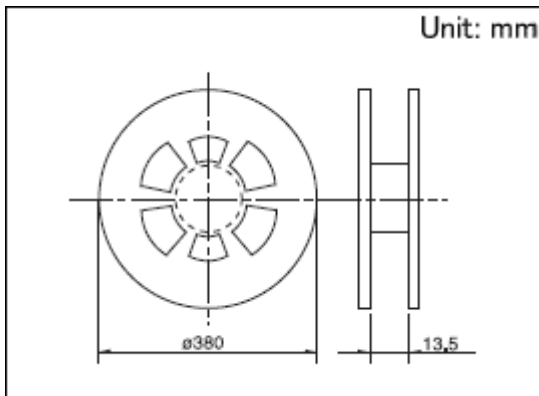
Viewed from switch mounting face

## Circuit Diagram



## Packing Specifications

### Taping



	1 reel	3,000
Number of packages (pcs.)	1 case / Japan	30,000
	1 case / export packing	30,000
Tape width (mm)		12
Export package measurements (mm)	395 × 395 × 205	

## Soldering Conditions

### Condition for Reflow

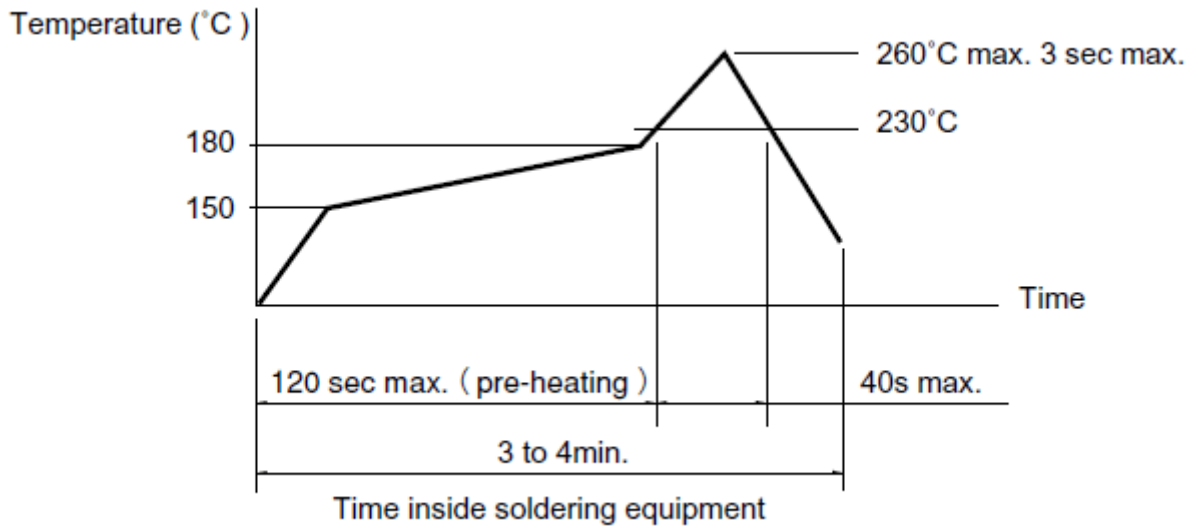
#### 1. Heating method

Double heating method with infrared heater.

#### 2. Temperature measurement

Thermocouple 0.1 to 0.2 Φ CA(K) or CC(T) at solder joints (copper foil surface). A heat resisting tape should be used for fix measurement.

### 3. Temperature profile



(1) The above temperature shall be measured of the top of switch. There are cases where PC board's temperature greatly differs from that of the switch, depending on the material, size, thickness of PC board's and others. Care, should be taken to prevent the switch's surface temperature from exceeding 260°C.

(2) Soldering conditions differ depending on reflow soldering machines. Prior verification of soldering condition is highly recommended.

### Manual Soldering

Items	Condition
Soldering temperature	350°C max.
Duration of soldering	3s max.
Capacity of soldering iron	60W max.

1. Do not washing the TACT Switch™.
2. Prevent flux penetration from the top side of the TACT switch™.
3. Switch terminals and a PC board should not be coated with flux prior to soldering.
4. The second soldering should be done after the switch returns to normal temperature.

### Notes are common to this series/models.

1. This site catalog shows only outline specifications. When using the products, please obtain formal specifications for supply.
2. Please place purchase orders for taping products per minimum order unit (1 reel or a case).
3. For  $\phi$  330mm diameter reel requirements, please contact us.

4. This products can be used in vehicles.

Although these products are designed to perform over a wide operating temperature range, please ensure that you receive and read the formal delivery specifications before use.

## **Inquiries about Products**

[Inquiry](#)

COPYRIGHT© 2020 ALPS ALPINE CO., LTD