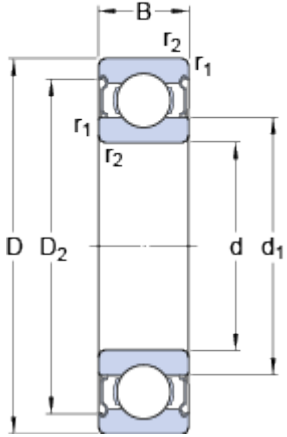


## 6002-2Z

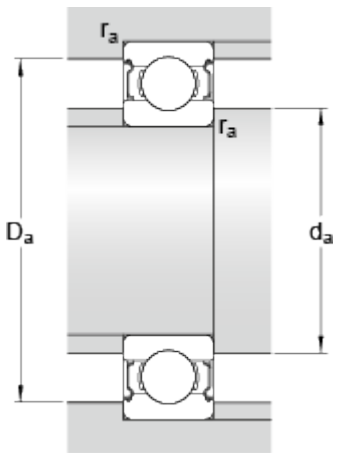
SKF Explorer

### Dimensions



d	15	mm
D	32	mm
B	9	mm
d <sub>1</sub>	20.5	mm
D <sub>2</sub>	28.2	mm
r <sub>1,2</sub>	min. 0.3	mm

### Abutment dimensions



d <sub>a</sub>	min. 17	mm
d <sub>a</sub>	max. 20.4	mm
D <sub>a</sub>	max. 30	mm
r <sub>a</sub>	max. 0.3	mm

### Calculation data

Basic dynamic load rating	C	5.8	kN
Basic static load rating	C <sub>0</sub>	2.8	kN
Fatigue load limit	P <sub>u</sub>	0.12	kN
Reference speed		50000	r/min
Limiting speed		26000	r/min
Calculation factor	k <sub>r</sub>	0.025	
Calculation factor	f <sub>0</sub>	14	

### Mass

Mass bearing	0.0316	kg
--------------	--------	----

