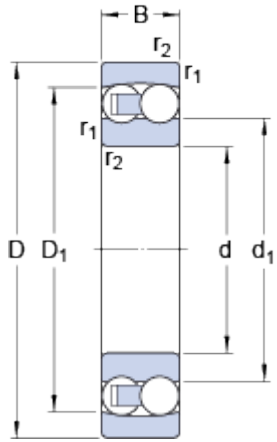


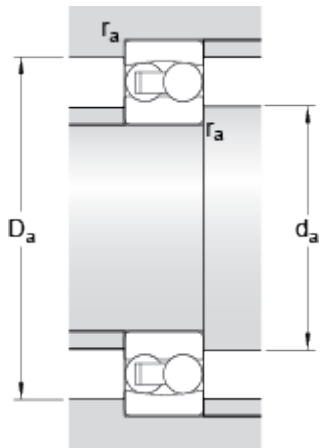
1205 ETN9

Dimensions



d	25	mm
D	52	mm
B	15	mm
d ₁	33.3	mm
D ₁	44.6	mm
r _{1,2}	min. 1	mm

Abutment dimensions



d _a	min. 30.6	mm
D _a	max. 46.4	mm
r _a	max. 1	mm

Calculation data

Basic dynamic load rating	C	14.3	kN
Basic static load rating	C ₀	4	kN
Fatigue load limit	P _u	0.21	kN
Reference speed		28000	r/min
Limiting speed		18000	r/min
Permissible angular misalignment		2.5	°
Calculation factor	k _r	0.04	
Calculation factor	e	0.28	
Calculation factor	Y ₀	2.5	
Calculation factor	Y ₁	2.2	

Calculation factor

Y_2

3.5

Mass

Mass bearing

0.14

kg
