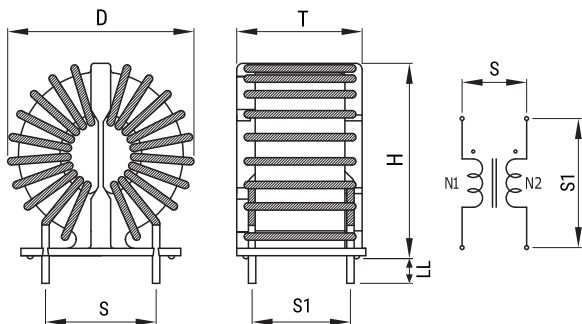


KEMET Part Number: SC-20-E085JM
(UALSC20E085JM0)

KEMET, SC-J, AC Line Filters, Common Mode, 1200 μ H



Dimensions

D	46mm MAX
T	32mm MAX
H	46mm MAX
LL	5mm +/-2mm
S	18mm NOM

Packaging Specifications

Packaging:	Tray
Packaging Quantity:	60
Weight:	90 g

General Information

Series:	SC-J
Style:	Through-Hole
RoHS:	Yes
Notes:	Lead Spacing (S/S1) Are For Reference Only.
Miscellaneous:	Temperature Rise Maximum: 46 K

Specifications

Voltage AC:	250 VAC
Inductance:	1.2 mH (10 kHz)
Current:	20 A
Temperature Range:	-25/+120°C
DC Resistance:	6 mOhms