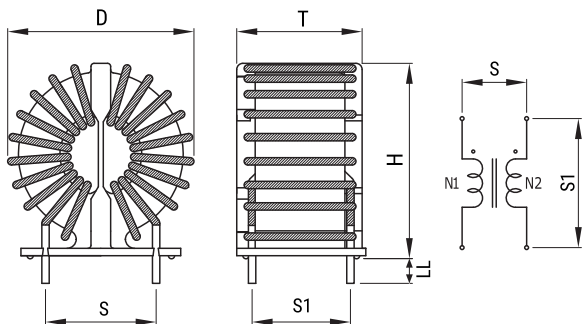


KEMET Part Number: SC-20-01J-A
(UALSC2001JA000)

KEMET, SC-J, AC Line Filters, Common Mode, 150 uH



Dimensions

D	35mm MAX
T	24mm MAX
H	34mm MAX
LL	4.5mm +/-1mm
S	18mm NOM

Packaging Specifications

Packaging:	Tray
Packaging Quantity:	200
Weight:	39.6 g

General Information

Series:	SC-J
Style:	Through-Hole
RoHS:	Yes
Notes:	Lead Spacing (S/S1) Are For Reference Only.
Miscellaneous:	Temperature Rise Maximum: 50 K

Specifications

Voltage AC:	250 VAC
Inductance:	0.15 mH (1 kHz)
Current:	20 A
Temperature Range:	-25/+120°C
DC Resistance:	4 mOhms