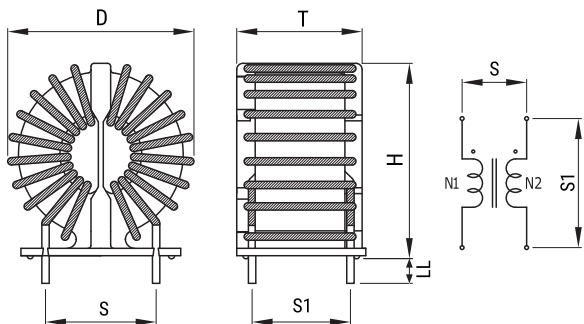


**KEMET Part Number: SC-18-E12J**  
(UALSC18E12J000)

KEMET, SC-J, AC Line Filters, Common Mode, 1200  $\mu$ H



**Dimensions**

<b>D</b>	50mm MAX
<b>T</b>	31mm MAX
<b>H</b>	50mm MAX
<b>LL</b>	4.1mm +/-1mm
<b>S</b>	40mm NOM

**Packaging Specifications**

<b>Packaging:</b>	Tray
<b>Packaging Quantity:</b>	45
<b>Weight:</b>	110 g

**General Information**

<b>Series:</b>	SC-J
<b>Style:</b>	Through-Hole
<b>RoHS:</b>	Yes
<b>Notes:</b>	Lead Spacing (S/S1) Are For Reference Only.
<b>Miscellaneous:</b>	Temperature Rise Maximum: 65 K

**Specifications**

<b>Voltage AC:</b>	250 VAC
<b>Inductance:</b>	1.2 mH (10 kHz)
<b>Current:</b>	18 A
<b>Temperature Range:</b>	-25/+120°C
<b>DC Resistance:</b>	9 mOhms