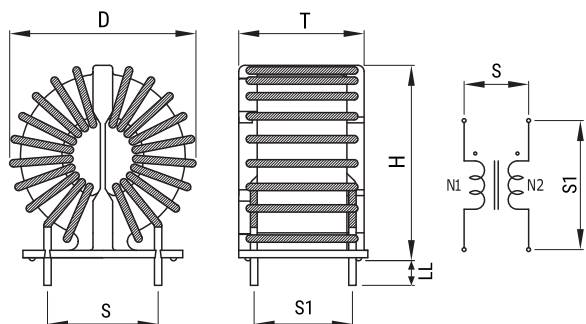


KEMET Part Number: SC-18-095J
(UALSC18095J000)

KEMET, SC-J, AC Line Filters, Common Mode, 950 uH



Dimensions

D	36mm MAX
T	25mm MAX
H	35mm MAX
LL	5mm +/-2mm
S	18mm NOM

Packaging Specifications

Packaging:	Tray
Packaging Quantity:	200
Weight:	45 g

General Information

Series:	SC-J
Style:	Through-Hole
RoHS:	Yes
Notes:	Lead Spacing (S/S1) Are For Reference Only.
Miscellaneous:	Temperature Rise Maximum: 56 K

Specifications

Voltage AC:	250 VAC
Inductance:	0.95 mH (10 kHz)
Current:	18 A
Temperature Range:	-25/+120°C
DC Resistance:	5.5 mOhms