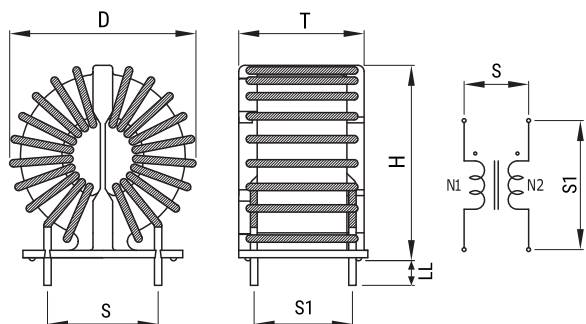


**KEMET Part Number: SC-15-E37J**  
(UALSC15E37J000)

KEMET, SC-J, AC Line Filters, Common Mode, 3700  $\mu$ H



#### Dimensions

|           |            |
|-----------|------------|
| <b>D</b>  | 44mm MAX   |
| <b>T</b>  | 30mm MAX   |
| <b>H</b>  | 44mm MAX   |
| <b>LL</b> | 5mm +/-2mm |
| <b>S</b>  | 18mm NOM   |

#### Packaging Specifications

|                            |        |
|----------------------------|--------|
| <b>Packaging:</b>          | Tray   |
| <b>Packaging Quantity:</b> | 75     |
| <b>Weight:</b>             | 82.4 g |

#### General Information

|                       |   |
|-----------------------|---|
| <b>Series:</b>        | SC-J  |
| <b>Style:</b>         | Through-Hole                                |
| <b>RoHS:</b>          | Yes   |
| <b>Notes:</b>         | Lead Spacing (S/S1) Are For Reference Only. |
| <b>Miscellaneous:</b> | Temperature Rise Maximum: 92 K              |

#### Specifications

|                           |                 |
|---------------------------|-----------------|
| <b>Voltage AC:</b>        | 250 VAC         |
| <b>Inductance:</b>        | 3.7 mH (10 kHz) |
| <b>Current:</b>           | 15 A            |
| <b>Temperature Range:</b> | -25/+120°C      |
| <b>DC Resistance:</b>     | 16 mOhms        |