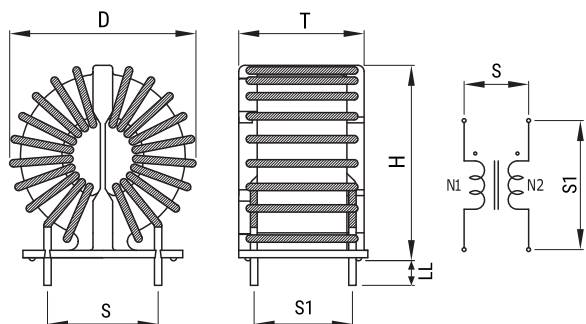


KEMET Part Number: SC-12-E035J
(UALSC12E035J00)

KEMET, SC-J, AC Line Filters, Common Mode, 350 uH



Dimensions

D	25mm MAX
T	16mm MAX
H	25.5mm MAX
LL	4mm +/-1.5mm
S	19.5mm NOM

Packaging Specifications

Packaging:	Tray
Packaging Quantity:	150
Weight:	11 g

General Information

Series:	SC-J
Style:	Through-Hole
RoHS:	Yes
Notes:	Lead Spacing (S/S1) Are For Reference Only.
Miscellaneous:	Temperature Rise Maximum: 60 K

Specifications

Voltage AC:	250 VAC
Inductance:	0.35 mH (10 kHz)
Current:	12 A
Temperature Range:	-25/+120°C
DC Resistance:	8 mOhms