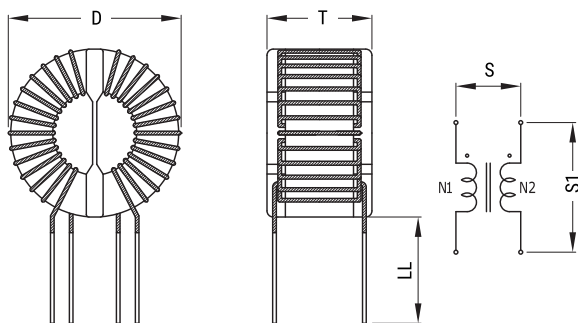


KEMET Part Number: SC-10-340
(UALSC103400000)

KEMET, SC, AC Line Filters, Common Mode, 3400 uH



Dimensions

| | |
|-----------|-------------|
| D | 48mm MAX |
| T | 29mm MAX |
| LL | 30mm +/-2mm |
| S | 10mm NOM |

Packaging Specifications

| | |
|----------------------------|---------|
| Packaging: | Tray |
| Packaging Quantity: | 60 |
| Weight: | 105.7 g |

General Information

| | |
|-----------------------|---|
| Series: | SC |
| Style: | Through-Hole |
| RoHS: | Yes |
| Notes: | Lead Spacing (S/S1) Are For Reference Only. |
| Miscellaneous: | Temperature Rise Maximum: 50 K |

Specifications

| | |
|---------------------------|------------------|
| Voltage AC: | 250 VAC |
| Inductance: | 3.4 mH (100 kHz) |
| Current: | 10 A |
| Temperature Range: | -25/+105°C |
| DC Resistance: | 32 mOhms |