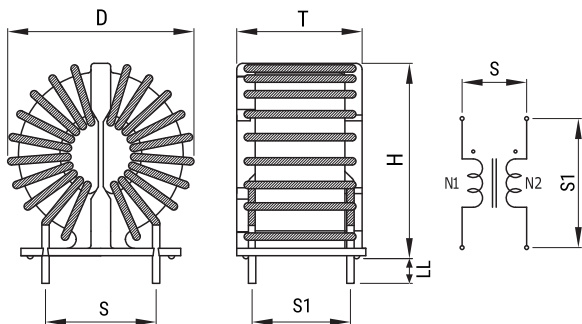


KEMET Part Number: SC-10-15J-MI
(UALSC1015JMI00)

KEMET, SC-J, AC Line Filters, Common Mode, 1500 μ H



Dimensions

D	34mm MAX
T	23mm MAX
H	34mm MAX
LL	3.8mm +/-1mm
S	12mm NOM

Packaging Specifications

Packaging:	Tray
Packaging Quantity:	180
Weight:	45 g

General Information

Series:	SC-J
Style:	Through-Hole
RoHS:	Yes
Notes:	Lead Spacing (S/S1) Are For Reference Only.
Miscellaneous:	Temperature Rise Maximum: 65 K

Specifications

Voltage AC:	250 VAC
Inductance:	1.5 mH (100 kHz)
Current:	10 A
Temperature Range:	-25/+120°C
DC Resistance:	15.7 mOhms