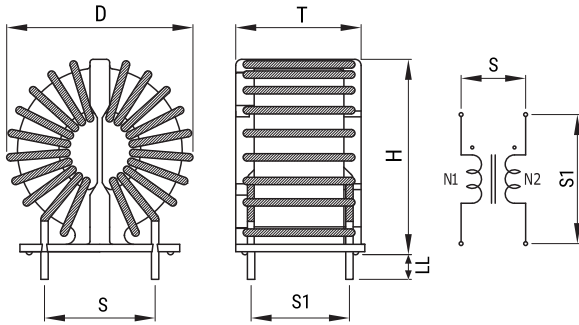


**KEMET Part Number: SC-08-E075J**  
(UALSC08E075J00)

KEMET, SC-J, AC Line Filters, Common Mode, 750 uH



#### Dimensions

<b>D</b>	25mm MAX
<b>T</b>	16mm MAX
<b>H</b>	25.5mm MAX
<b>LL</b>	3.5mm +/-1mm
<b>S</b>	19.5mm NOM

#### Packaging Specifications

<b>Packaging:</b>	Tray
<b>Packaging Quantity:</b>	150
<b>Weight:</b>	16.4 g

#### General Information

<b>Series:</b>	SC-J
<b>Style:</b>	Through-Hole
<b>RoHS:</b>	Yes
<b>Notes:</b>	Lead Spacing (S/S1) Are For Reference Only.
<b>Miscellaneous:</b>	Temperature Rise Maximum: 55 K

#### Specifications

<b>Voltage AC:</b>	250 VAC
<b>Inductance:</b>	0.75 mH (10 kHz)
<b>Current:</b>	8 A
<b>Temperature Range:</b>	-25/+120°C
<b>DC Resistance:</b>	12.7 mOhms