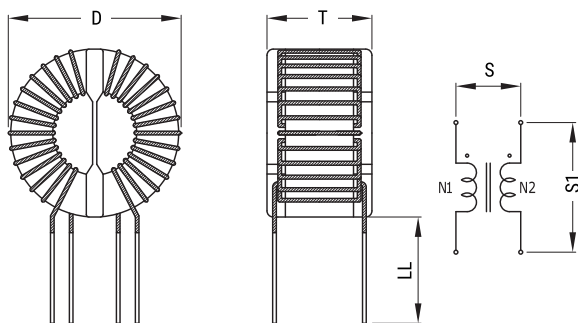


KEMET Part Number: SC-08-200B
(UALSC08200B000)

KEMET, SC, AC Line Filters, Common Mode, 2000 uH



Dimensions

| | |
|-----------|-------------|
| D | 34mm MAX |
| T | 22mm MAX |
| LL | 15mm +/-2mm |
| S | 6mm NOM |

Packaging Specifications

| | |
|----------------------------|--------|
| Packaging: | Tray |
| Packaging Quantity: | 200 |
| Weight: | 43.1 g |

General Information

| | |
|-----------------------|---|
| Series: | SC |
| Style: | Through-Hole |
| RoHS: | Yes |
| Notes: | Lead Spacing (S/S1) Are For Reference Only. |
| Miscellaneous: | Temperature Rise Maximum: 40 K |

Specifications

| | |
|---------------------------|----------------|
| Voltage AC: | 250 VAC |
| Inductance: | 2 mH (100 kHz) |
| Current: | 8 A |
| Temperature Range: | -25/+105°C |
| DC Resistance: | 70 mOhms |