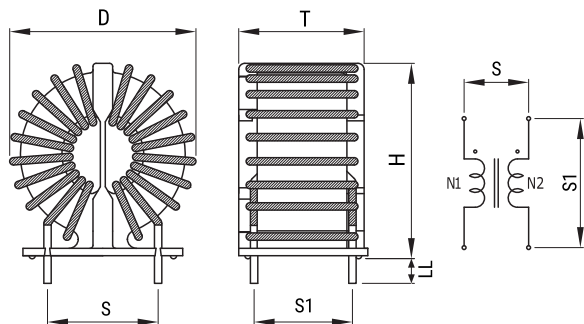


KEMET Part Number: SC-08-100JM
(UALSC08100JM00)

KEMET, SC-J, AC Line Filters, Common Mode, 0.013 H



Dimensions

D	41mm MAX
T	32mm MAX
H	40mm MAX
LL	3.5mm +/-1mm
S	18mm NOM

Packaging Specifications

Packaging:	Tray
Packaging Quantity:	160
Weight:	93 g

General Information

Series:	SC-J
Style:	Through-Hole
RoHS:	Yes
Notes:	Lead Spacing (S/S1) Are For Reference Only.
Miscellaneous:	Temperature Rise Maximum: 70 K

Specifications

Voltage AC:	250 VAC
Inductance:	13 mH (100 kHz)
Current:	8 A
Temperature Range:	-25/+120°C
DC Resistance:	50 mOhms