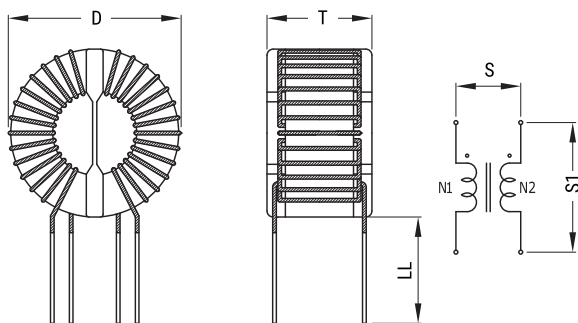


KEMET Part Number: SC-07-650
(UALSC076500000)

KEMET, SC, AC Line Filters, Common Mode, 6500 uH



Dimensions

D	35mm MAX
T	23mm MAX
LL	15mm +/-2mm
S	7mm NOM

Packaging Specifications

Packaging:	Tray
Packaging Quantity:	200
Weight:	45.3 g

General Information

Series:	SC
Style:	Through-Hole
RoHS:	Yes
Notes:	Lead Spacing (S/S1) Are For Reference Only.
Miscellaneous:	Temperature Rise Maximum: 55 K

Specifications

Voltage AC:	250 VAC
Inductance:	6.5 mH (1 kHz)
Current:	7 A
Temperature Range:	-25/+105°C
DC Resistance:	40 mOhms