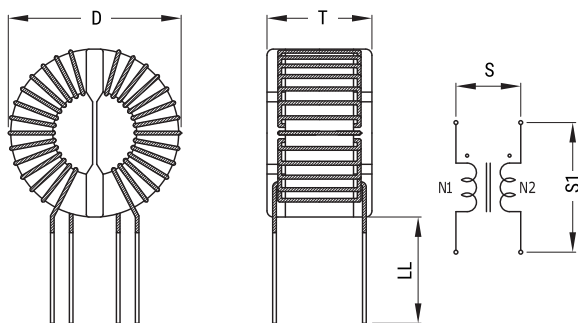


KEMET Part Number: SC-07-100
(UALSC071000000)

KEMET, SC, AC Line Filters, Common Mode, 650 uH



Dimensions

D	25mm MAX
T	19mm MAX
LL	15mm +/-2mm
S	10mm NOM

Packaging Specifications

Packaging:	Tray
Packaging Quantity:	300
Weight:	20 g

General Information

Series:	SC
Style:	Through-Hole
RoHS:	Yes
Notes:	Lead Spacing (S/S1) Are For Reference Only.
Miscellaneous:	Temperature Rise Maximum: 45 K

Specifications

Voltage AC:	250 VAC
Inductance:	0.65 mH (100 kHz)
Current:	7 A
Temperature Range:	-25/+105°C
DC Resistance:	14 mOhms