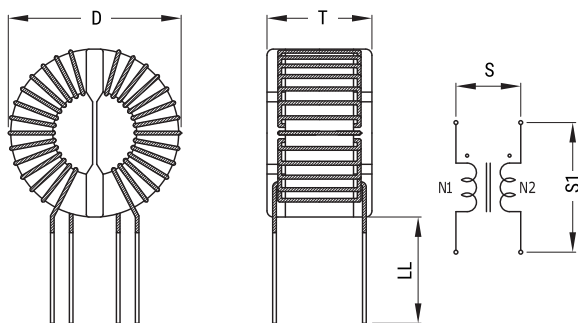


KEMET Part Number: SC-07-030V
(UALSC07030V000)

KEMET, SC, AC Line Filters, Common Mode, 360 uH



Dimensions

D	25mm MAX
T	20mm MAX
LL	15mm +/-2mm
S	10mm NOM

Packaging Specifications

Packaging:	Tray
Packaging Quantity:	300
Weight:	18.9 g

General Information

Series:	SC
Style:	Through-Hole
RoHS:	Yes
Notes:	Lead Spacing (S/S1) Are For Reference Only.
Miscellaneous:	Temperature Rise Maximum: 30 K

Specifications

Voltage AC:	250 VAC
Inductance:	0.36 mH (100 kHz)
Current:	7 A
Temperature Range:	-25/+120°C
DC Resistance:	14 mOhms