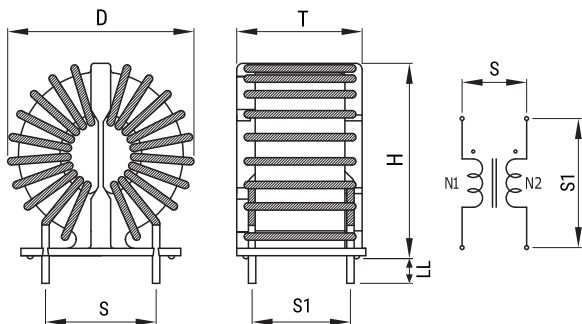


KEMET Part Number: SC-05-100J
(UALSC05100J000)

KEMET, SC-J, AC Line Filters, Common Mode, 0.0105 H



Dimensions

D	34mm MAX
T	23mm MAX
H	33mm MAX
LL	5mm +/-2mm
S	18mm NOM

Packaging Specifications

Packaging:	Tray
Packaging Quantity:	180
Weight:	40.8 g

General Information

Series:	SC-J
Style:	Through-Hole
RoHS:	Yes
Notes:	Lead Spacing (S/S1) Are For Reference Only.
Miscellaneous:	Temperature Rise Maximum: 55 K

Specifications

Voltage AC:	250 VAC
Inductance:	10.5 mH (16 kHz)
Current:	5 A
Temperature Range:	-25/+120°C
DC Resistance:	100 mOhms