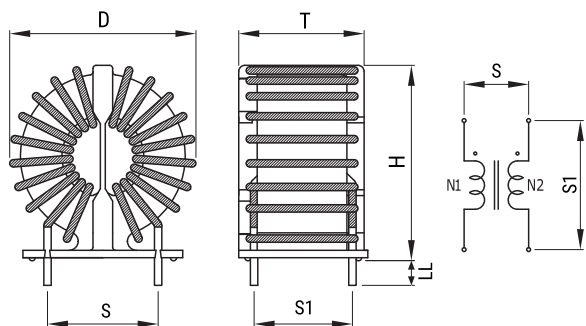


KEMET Part Number: SC-04-E50J
(UALSC04E50J000)

KEMET, SC-J, AC Line Filters, Common Mode, 5180 uH



Dimensions

D	23.5mm MAX
T	19.4mm MAX
H	24mm MAX
LL	3.3mm +/-1mm
S	20mm NOM

Packaging Specifications

Packaging:	Tray
Packaging Quantity:	360
Weight:	19.2 g

General Information

Series:	SC-J
Style:	Through-Hole
RoHS:	Yes
Notes:	Lead Spacing (S/S1) Are For Reference Only.
Miscellaneous:	Temperature Rise Maximum: 70 K

Specifications

Voltage AC:	250 VAC
Inductance:	5.18 mH (10 kHz)
Current:	4.3 A
Temperature Range:	-25/+120°C
DC Resistance:	56.4 mOhms