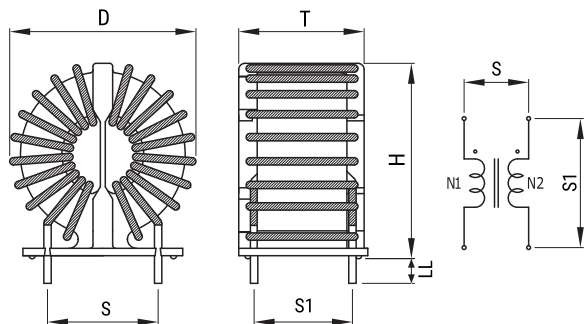


KEMET Part Number: SC-04-20JN
(UALSC0420JN000)

KEMET, SC-J, AC Line Filters, Common Mode, 2000 μ H



Dimensions

D	25mm MAX
T	20mm MAX
H	27mm MAX
LL	5mm +/-2mm
S	10mm NOM

Packaging Specifications

Packaging:	Tray
Packaging Quantity:	400
Weight:	20.4 g

General Information

Series:	SC-J
Style:	Through-Hole
RoHS:	Yes
Notes:	Lead Spacing (S/S1) Are For Reference Only.
Miscellaneous:	Temperature Rise Maximum: 50 K

Specifications

Voltage AC:	250 VAC
Inductance:	2 mH (100 kHz)
Current:	4 A
Temperature Range:	-25/+120°C
DC Resistance:	50 mOhms