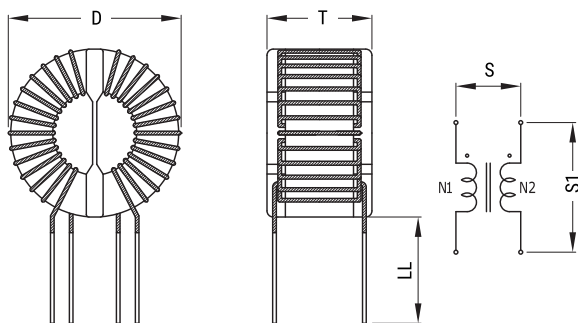


KEMET Part Number: SC-03-E900
(UALSC03E900000)

KEMET, SC, AC Line Filters, Common Mode, 9000 uH



Dimensions

D	23.5mm MAX
T	20mm MAX
LL	15mm +/-2mm
S	5mm NOM

Packaging Specifications

Packaging:	Tray
Packaging Quantity:	300
Weight:	19 g

General Information

Series:	SC
Style:	Through-Hole
RoHS:	Yes
Notes:	Lead Spacing (S/S1) Are For Reference Only.
Miscellaneous:	Temperature Rise Maximum: 70 K

Specifications

Voltage AC:	250 VAC
Inductance:	9 mH (10 kHz)
Current:	3 A
Temperature Range:	-25/+120°C
DC Resistance:	130 mOhms