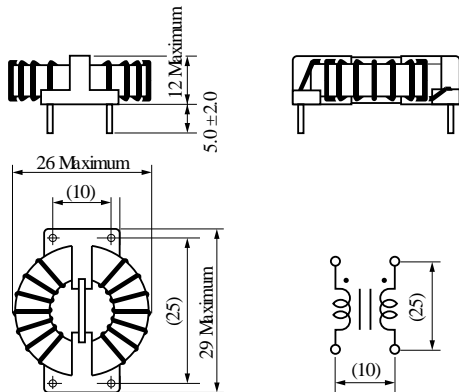


KEMET Part Number: SC-03-04JS
(UALSC0304JS000)

KEMET, SC-JS, AC Line Filters, Common Mode, 450 uH



Dimensions	
D	26mm MAX
T	29mm MAX
H	12mm MAX
LL	5mm +/-2mm
S	10mm NOM

Packaging Specifications	
Packaging:	Tray
Packaging Quantity:	400
Weight:	8.4 g

General Information	
Series:	SC-JS
Style:	Through-Hole
RoHS:	Yes
Notes:	Lead Spacing (S/S1) Are For Reference Only.
Miscellaneous:	Temperature Rise Maximum: 40 K

Specifications	
Voltage AC:	250 VAC
Inductance:	0.45 mH
Current:	3 A
Temperature Range:	-25/+105°C
DC Resistance:	40 mOhms