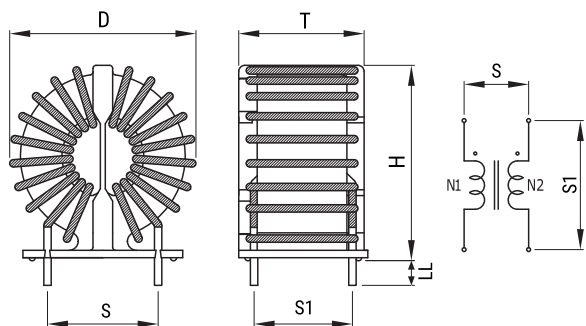


**KEMET Part Number: SC-02-E115J**  
(UALSC02E115J00)

KEMET, SC-J, AC Line Filters, Common Mode, 0.0115 H



#### Dimensions

<b>D</b>	25mm MAX
<b>T</b>	15.4mm MAX
<b>H</b>	27.5mm MAX
<b>LL</b>	3.5mm +/-1mm
<b>S</b>	13mm NOM

#### Packaging Specifications

<b>Packaging:</b>	Tray
<b>Packaging Quantity:</b>	400
<b>Weight:</b>	13 g

#### General Information

<b>Series:</b>	SC-J
<b>Style:</b>	Through-Hole
<b>RoHS:</b>	Yes
<b>Notes:</b>	Lead Spacing (S/S1) Are For Reference Only.
<b>Miscellaneous:</b>	Temperature Rise Maximum: 55 K

#### Specifications

<b>Voltage AC:</b>	250 VAC
<b>Inductance:</b>	11.5 mH (10 kHz)
<b>Current:</b>	2 A
<b>Temperature Range:</b>	-25/+120°C
<b>DC Resistance:</b>	155 mOhms