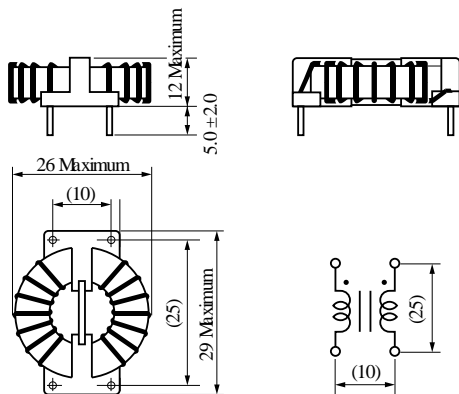


**KEMET Part Number: SC-02-08JS**  
(UALSC0208JS000)

KEMET, SC-JS, AC Line Filters, Common Mode, 800 uH



Dimensions	
D	26mm MAX
T	29mm MAX
H	12mm MAX
LL	5mm +/-2mm
S	10mm NOM

Packaging Specifications	
Packaging:	Tray
Packaging Quantity:	400
Weight:	8.2 g

General Information	
Series:	SC-JS
Style:	Through-Hole
RoHS:	Yes
Notes:	Lead Spacing (S/S1) Are For Reference Only.
Miscellaneous:	Temperature Rise Maximum: 40 K

Specifications	
Voltage AC:	250 VAC
Inductance:	0.8 mH
Current:	2 A
Temperature Range:	-25/+105°C
DC Resistance:	80 mOhms