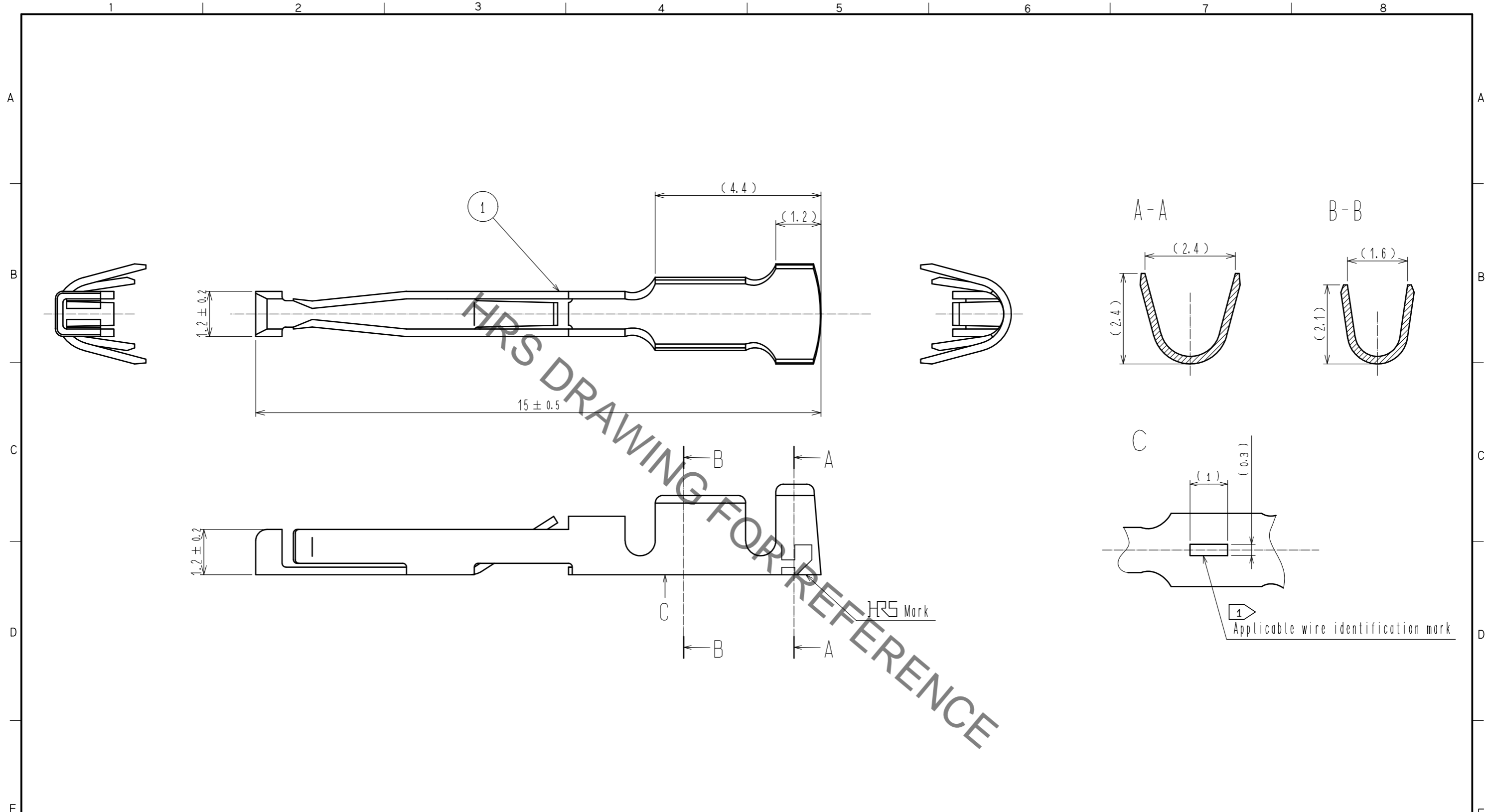


Mar.1.2020 Copyright 2020 HIROSE ELECTRIC CO., LTD. All Rights Reserved.
In case of consideration for using Automotive equipment / device which demand high reliability, kindly contact our sales window correspondents.



Note 1 Applicable wire : AWG#18 TO 22

1	Phosphor bronze	Silver plating (100pcs/bag)			
NO.	MATERIAL	FINISH . REMARKS	NO.	MATERIAL	FINISH . REMARKS
UNITS mm		SCALE 10:1	COUNT 	DESCRIPTION OF REVISIONS	
APPROVED : E.J. KUNII			16.02.25	DRAWING NO. EDC-010241-00-00	
CHECKED : E.J. KUNII			16.02.25	PART NO. RP17-SC-112	
DESIGNED : MM. ISHII			16.02.24	CODE NO. CL113-0505-1-00	
DRAWN : MM. ISHII			16.02.24	1/1	