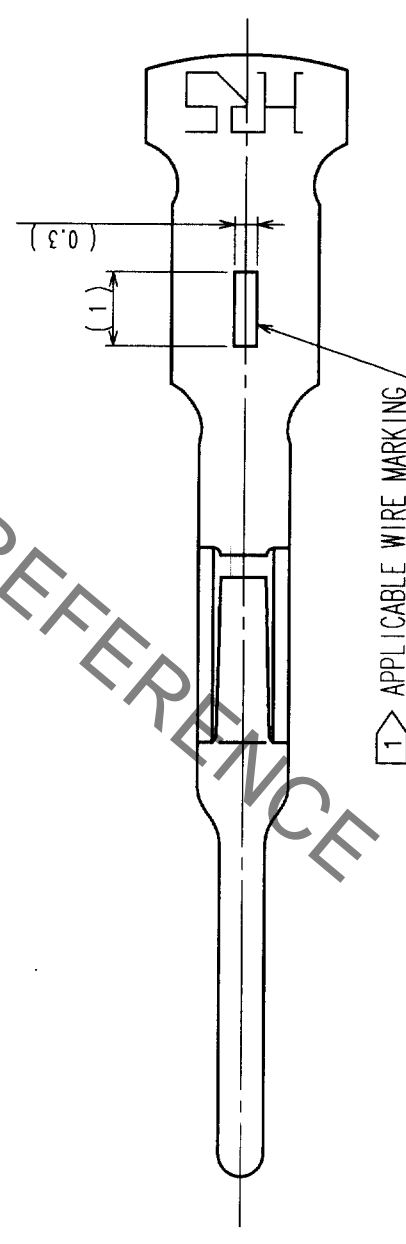
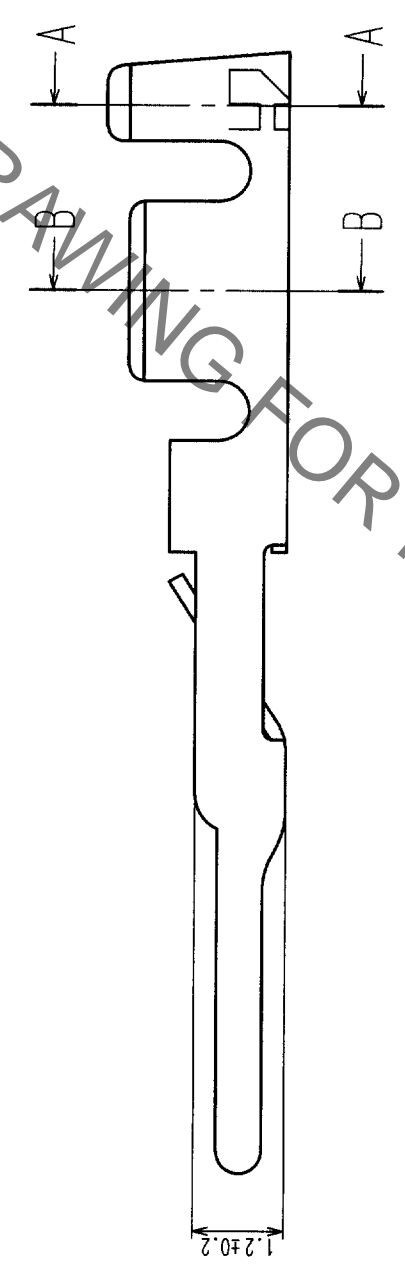
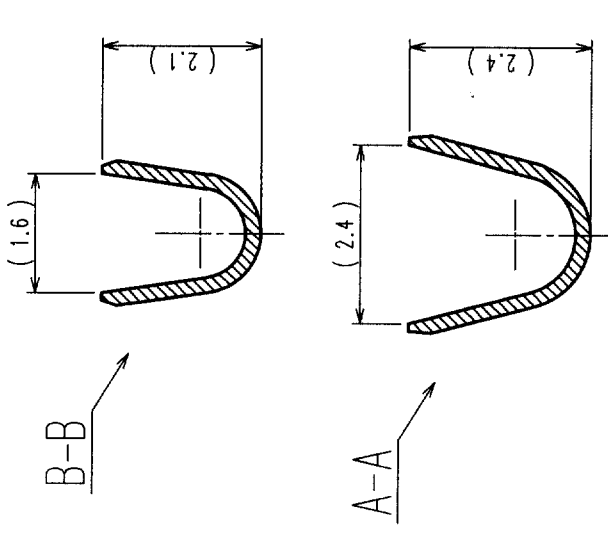
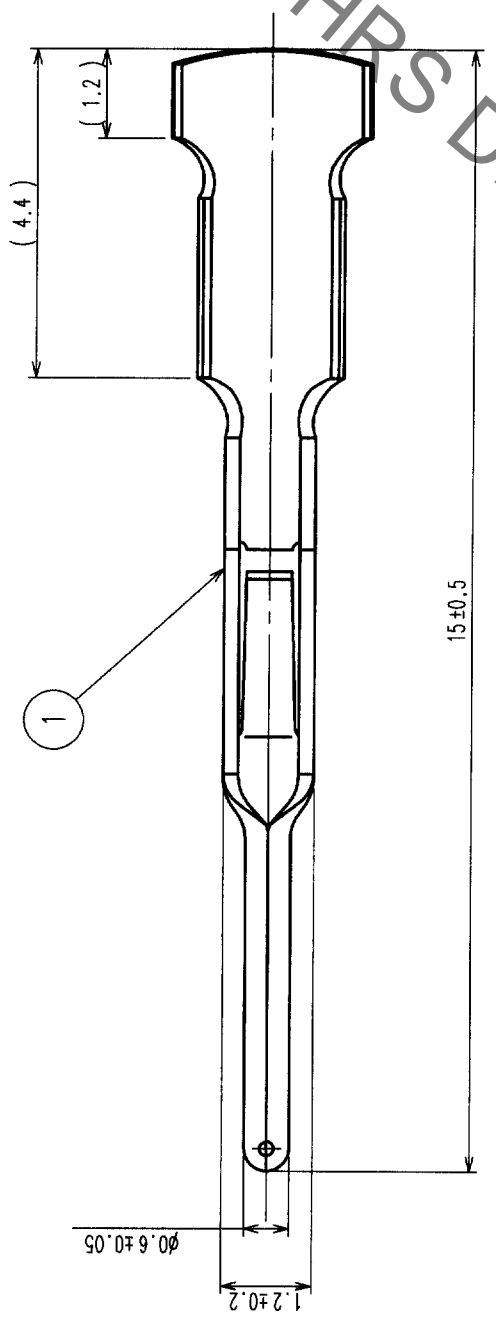


In case of consideration for using Automotive equipment / device which demand high reliability, kindly contact our sales window correspondents.

Feb.1.2020 Copyright 2020 HIROSE ELECTRIC CO., LTD. All Rights Reserved.

COUNT		DESCRIPTION OF REVISIONS		BY	CHKD	DATE
△	△					
△	△					
△	△					



NOTE 1 APPLICABLE WIRE : 18 TO 22 AWG.(INSULATION DIA 1.7 MAX)

1 APPLICABLE WIRE MARKING

NO.	PHOSPHOR BRONZE MATERIAL	SILVER PLATING 4μm min.(QUANTITY:100)	FINISH, REMARKS	NO.	MATERIAL	FINISH, REMARKS
1						

CODE NO. (OLD) CL	DRAWN Y. Yamada 02.10.17	DESIGNED Y. Yamada 02.10.17	CHECKED E. Kuniti 02.10.17	APPROVED M. Oshida 02.10.18	RELEASED
----------------------	--------------------------------	-----------------------------------	----------------------------------	-----------------------------------	----------

DRAWING NO. EDC3-010237	PART NO. RP17-PC-112
----------------------------	-------------------------

SCALE 10 : 1	UNITS mm	CODE NO. CL113-0503-6
-----------------	-------------	--------------------------

TO R