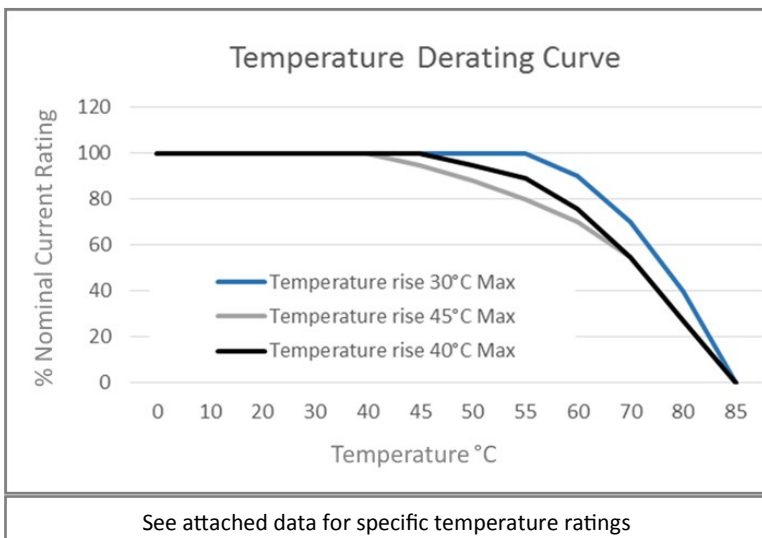


# RIX Series IEC Inlet Filters PCB Mounted

The RIX series of general purpose IEC inlet filters offers good performance for both common mode and differential mode interface, in a standard compact size.

A standard IEC inlet filter available from Roxburgh EMC with quick and easy mounting.

- Current ratings, 1A, 3A and 6A
- Rated at 250V
- Also available with increased x and y caps for optimum performance
- Customisation services available
- Available from UK stock



Meets overvoltage category II of IEC60664  
Complies with BS EN 60950

UL Standard: UL1283  
IEC Standard: IEC 60939-2:2015  
CSA Standard: C22.2

**Features:**

- UL Approved
- General Purpose
- 1 to 6 Amp Current Ratings
- IEC Inlet with fast-on termination

**Application Examples:**

- Digital Equipment
- Point-of-sale equipment
- Printers
- Inverters
- Vending and Gaming machines

**Benefits:**

- Quick and easy mounting
- Safety approvals held
- UK stock

**Contact us on:**

**Tel: +44 (0) 1724 273228**

**Email: [roxburghemc@dem-uk.com](mailto:roxburghemc@dem-uk.com)**

**DEM Manufacturing**  
Deltron Emcon House  
Hargreaves Way  
Sawcliffe Industrial Park  
Scunthorpe  
DN15 8RF



Tel: 44 (0) 1724 273200  
Fax: 44 (0) 1724 280353  
Email: [sales@dem-uk.com](mailto:sales@dem-uk.com)  
Web: [www.dem-uk.com/roxburgh](http://www.dem-uk.com/roxburgh)

### A. General Specifications

Model	Rated Voltage AC,DC[V]	Rated Current [A]	Leakage Current Max. [mA]	Temperature Rise Max. [°C]
RIX-01*2-*	250	1	0.35	30
RIX-01*3-*	250	1	0.50	30
RIX-02*2-*	250	2	0.35	30
RIX-02*3-*	250	2	0.50	30
RIX-03*2-*	250	3	0.35	30
RIX-03*3-*	250	3	0.50	30
RIX-06*2-*	250	6	0.35	45
RIX-06*3-*	250	6	0.50	45
RIX-L03*2-*	250	3	0.35	45
RIX-L03*3-*	250	3	0.50	45
RIX-(L)**A0-*	250	1/2/3/6	0.01	30/30/30(45)/45
RIX-(L)**AC-*	250	1/2/3/6	0.075	30/30/30(45)/45
RIX-(L)**AD-*	250	1/2/3/6	0.10	30/30/30(45)/45

\*Leakage current measuring method

UL 1283(3rd Edition): -26 and Fig 26.1

\*Temperature rise measuring method

VDE 0565-3 : - 2.3.3 and - 4.5

### B. Operating Temperature Range

-25°C to +85°C including temperature rise.

### C. Withstand Voltage

1500V AC for 1 minute between line and ground.

1800V DC for 1 minute between line and line.

### D. Insulation Resistance

300M $\Omega$  minimum at 500V DC between line and ground.

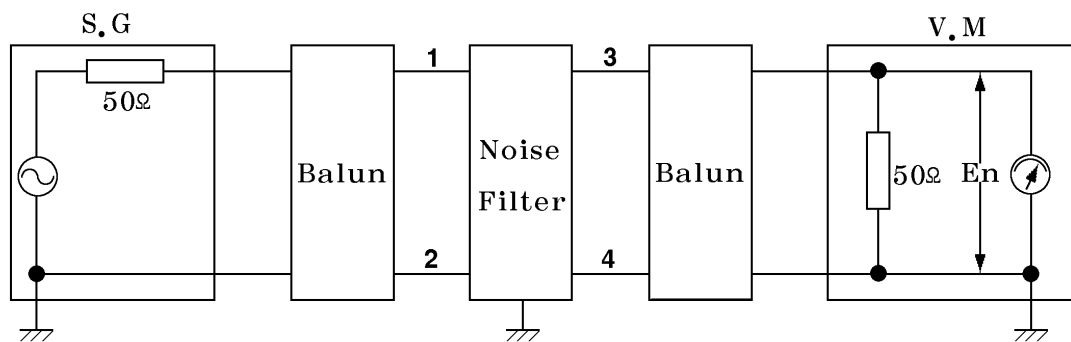
### E. Voltage Drop

1 volt maximum at rated current.

### F. Circuit Diagram and Component Values

- Refer to attached Appendix page A1

### G. Attenuation Measuring Method



OSC Level : 0dB

$$\text{Insertion loss} = -20\log(E1/E2)[\text{dB}]$$

E1 : Level with the Noise Filter in the circuit.

E2 : Level without the Noise Filter in the circuit.

### H. Guaranteed Minimum Attenuation In [dB]

- Refer to attached Appendix page A2

### I. Shape and Dimension

- Refer to attached Appendix page A3

Item : EMI Filter  
Model No : RIX-Series

---

Rev.4  
4 - 4

### **J. Marking**

1. Trademark.
2. Model No.
3. Rated voltage and current.
4. Operating temperature range.
5. Circuit diagram and component value.
6. Lot No.
7. UL, CSA marks.

### **K. Material List**

- Refer to attached Appendix page A4

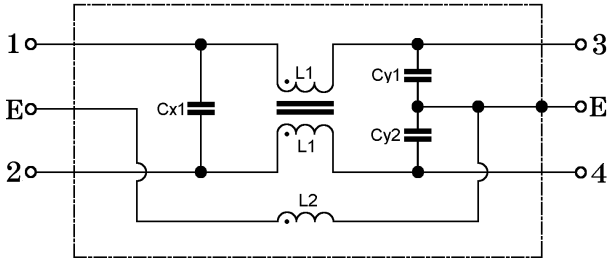
### **L. Packing**

- Refer to attached Appendix page A5

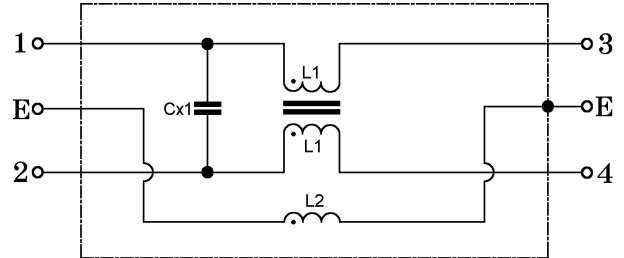
---

※ .Circuit Diagram and Component Values

1. RIX-\*\*\*\*-\* TYPE

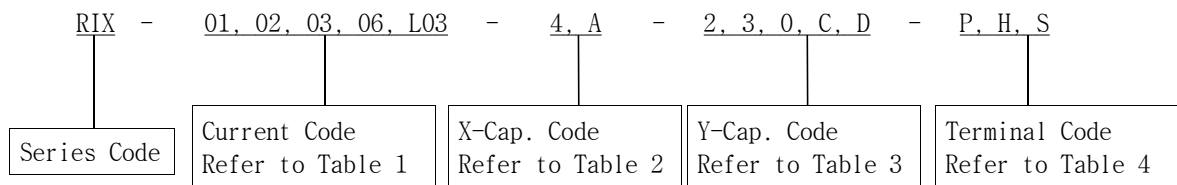


2. RIX-\*\*\*0-\* TYPE



Model No.	Inductance L1	Inductance L2	X-Capacitor Cx1	Y-Capacitor Cy1,2
RIX-01***-	6.0mH +50%, -30%	18.3uH +50%, -30%	*	*
RIX-02***-	2.4mH +50%, -30%	18.3uH +50%, -30%	*	*
RIX-03***-	1.2mH +50%, -30%	18.3uH +50%, -30%	*	*
RIX-06***-	0.53mH +50%, -30%	18.3uH +50%, -30%	*	*
RIX-L03***-	2.4mH +50%, -30%	18.3uH +50%, -30%	*	*
RIX-***42-*	*	18.3uH +50%, -30%	0.047μF ±20%	2200pF ±20%
RIX-***43-*	*	18.3uH +50%, -30%	0.047μF ±20%	3300pF ±20%
RIX-***A2-*	*	18.3uH +50%, -30%	0.1μF ±20%	2200pF ±20%
RIX-***A3-*	*	18.3uH +50%, -30%	0.1μF ±20%	3300pF ±20%
RIX-***A0-*	*	18.3uH +50%, -30%	0.1μF ±20%	NONE
RIX-***AC-*	*	18.3uH +50%, -30%	0.1μF ±20%	330pF ±20%
RIX-***AD-*	*	18.3uH +50%, -30%	0.1μF ±20%	470pF ±20%

Construction of Model No.



\* Table 1 : Current Code

Suffix	01	02	03	06	L03
Current	1 A	2 A	3 A	6 A	3 A

\* Table 2 : X-Capacitor Code

Suffix	4	A
X-Capacitor	0.047μF	0.1μF

\* Table 3 : Y-Capacitor Code

Suffix	2	3	0	C	D
Y-Capacitor	2200pF	3300pF	None	330pF	470pF

\* Table 4 : Terminal Code

Suffix	P	H	S
Terminal	PCB Tab	Faston Tab #250	Solder Lug

Item : EMI Filter

Rev.4

Model No : RIX-Series(Appendix)

A 2

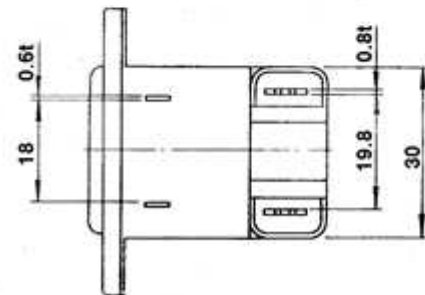
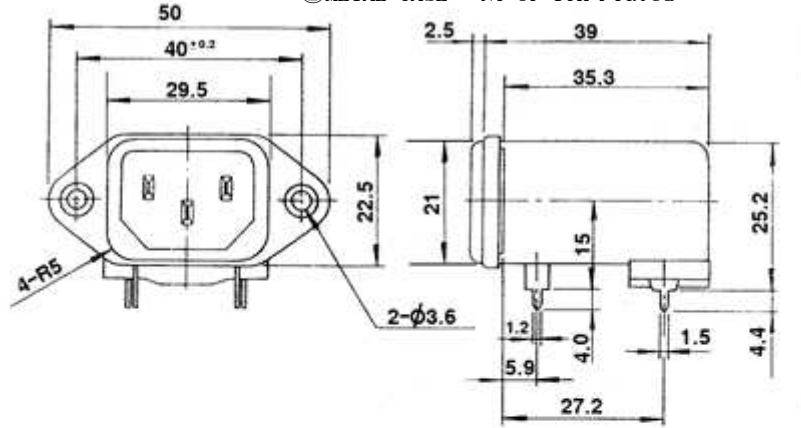
**※ .Guaranteed Minimum Attenuation In [dB]**

Model	Common mode [MHz]							Normal mode [MHz]						
	0.15	0.45	1	2	5	10	30	0.15	0.45	1	2	5	10	30
RIX-0142-*	30	42	48	47	47	53	50	8	15	20	32	47	52	60
RIX-0143-*	33	43	50	50	50	55	50	8	14	20	35	48	55	60
RIX-01A2-*	32	44	47	43	45	48	50	13	22	25	35	50	52	56
RIX-01A3-*	33	42	50	50	50	58	50	13	20	25	38	50	55	64
RIX-0242-*	25	35	42	45	45	52	53	8	15	16	21	43	50	60
RIX-0243-*	25	35	43	49	49	55	50	8	15	15	27	47	53	60
RIX-02A2-*	25	35	42	45	46	52	52	13	21	21	27	42	48	60
RIX-02A3-*	24	35	43	49	49	55	50	13	20	20	30	46	53	59
RIX-0342-*	19	27	33	40	46	52	50	8	15	19	19	37	47	56
RIX-0343-*	19	27	35	43	47	53	50	8	15	18	18	43	50	57
RIX-03A2-*	19	27	33	40	43	50	50	15	23	25	23	38	45	60
RIX-03A3-*	19	28	35	42	48	55	50	15	22	23	22	45	50	60
RIX-0642-*	9	20	26	33	42	48	50	8	15	20	20	30	40	56
RIX-0643-*	9	20	28	34	43	50	47	8	15	20	20	34	43	55
RIX-06A2-*	9	20	26	33	42	48	50	13	22	25	25	33	43	60
RIX-06A3-*	9	20	28	34	44	52	47	13	21	25	25	37	49	60
RIX-L0342-*	25	35	42	45	45	52	53	8	15	16	21	43	50	60
RIX-L0343-*	25	35	43	49	49	55	50	8	15	15	27	47	53	60
RIX-L03A2-*	25	35	42	45	46	52	52	13	21	21	27	42	48	60
RIX-L03A3-*	24	35	43	49	49	55	50	13	20	20	30	46	53	59
RIX-02AD-*	21	33	38	38	35	38	40	14	24	28	30	31	35	47
RIX-03AC-*	17	28	32	33	32	38	40	14	24	28	28	27	32	45
RIX-03AD-*	17	28	32	35	35	38	40	14	24	28	28	27	32	45
RIX-L03AD-*	21	33	38	38	35	38	40	14	24	28	30	31	35	47

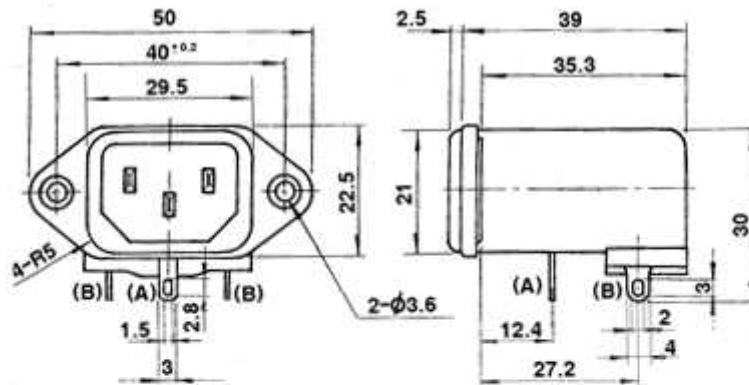
※ .Shape and Dimension Unit : [mm]

- ①GENERAL TOLERANCE :  $\pm 0.3\text{mm}$
- ②METAL CASE : Ni or Tin Plated

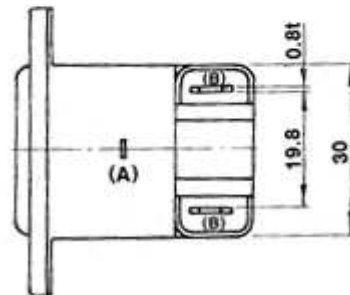
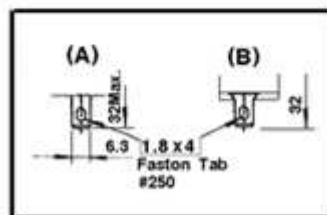
1) RIX-\*\*\*\*P\*\* Series  
 (P.C.B Mounting Type)



2) RIX-\*\*\*\*S\*\* Series  
 (Sodering Lug Type)



2-1) Alternate Terminal for RIX-\*\*\*\*H\*\*



※ .Packing

1. Quantity & Weight

Packing Case	Q'ty/ 1 Box	Gross Weight(kg)
Carton Box	400	24
Inner Box	100	5.5

2. Packing Case

Packing Case	Q'ty	Material	Dimension(W×L×Hmm)
Carton Box	1/400	SK3SA	455×245×384
Inner Box	1/100	SKSA B Type	235×220×180
Packing Case	1/20	P.E.T	228×209×33
Styrofoam Pad	1/100	PS	220×200×9t
Poly Bag	1/100	P.E ,t=30 μ	400×470

3. Marking

- 1) Model No.
- 2) Q'ty of products
- 3) Lot No.

