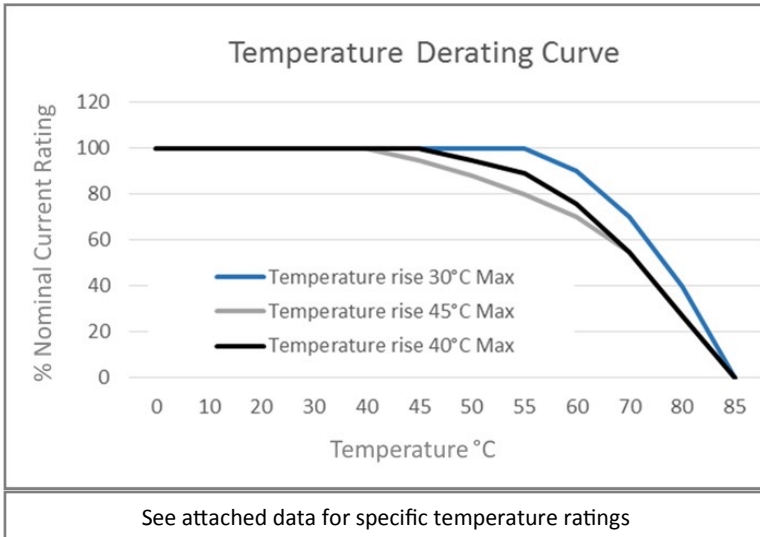


# IEC Inlet Filters Switched and Fused - Screw Fix

The RIP series of general purpose IEC inlet filters offer good performance for both common mode and differential mode interface, in a standard compact size.

A standard IEC inlet filter available from Roxburgh EMC with quick and easy mounting.

- Current ratings, 2A, 4A and 6A.
- Rated at 250V.
- Also available with increased x and y caps for optimum performance.
- Customisation services available
- Available from UK stock



Meets overvoltage category II of IEC664  
Complies with BS EN 60950

UL Standard: UL1283  
UL File No. E191581  
CSA Standard: C22.2

**Features:**

- UL Approved
- General Purpose
- 2 to 6 Amp Current Ratings
- IEC Inlet with fast-on termination

**Application Examples:**

- Digital Equipment
- Point-of-sale equipment
- Printers
- Inverters
- Vending and Gaming machines

**Benefits:**

- Quick and easy mounting
- Safety approvals held
- UK stock

**Contact us on:**

**Tel: +44 (0) 1724 273228**

**Email: [roxburghemc@dem-uk.com](mailto:roxburghemc@dem-uk.com)**

**DEM Manufacturing**  
Deltron Emcon House  
Hargreaves Way  
Sawcliffe Industrial Park  
Scunthorpe  
DN15 8RF



Tel: 44 (0) 1724 273200  
Fax: 44 (0) 1724 280353  
Email: [sales@dem-uk.com](mailto:sales@dem-uk.com)  
Web: [www.dem-uk.com/roxburgh](http://www.dem-uk.com/roxburgh)

Item : EMI Filter  
Model No : RIP-Series

---

Rev 3

3 - 2

### A. General Specifications

Model	Rated Voltage AC,DC[V]	Rated Current [A]	Leakage Current Max. [mA]	Temperature Rise Max. [°C]
RIP-02*2-H*	250	2	0.35	40
RIP-04*2-H*	250	4	0.35	45
RIP-06*2-H*	250	6	0.35	45

\*Leakage current measuring method

UL 1283(3rd Edition): -26 and Fig 26.1

\*Temperature rise measuring method

VDE 0565-3 : - 2.3.3 and - 4.5

### B. Operating Temperature Range

-25°C to +85°C including temperature rise.

### C. Withstand Voltage

1500V AC for 1 minute between line and ground.

1800V DC for 1 minute between line and line. (Without bleeder resistor)

### D. Insulation Resistance

300M $\Omega$  minimum at 500V DC between line and ground.

### E. Voltage Drop

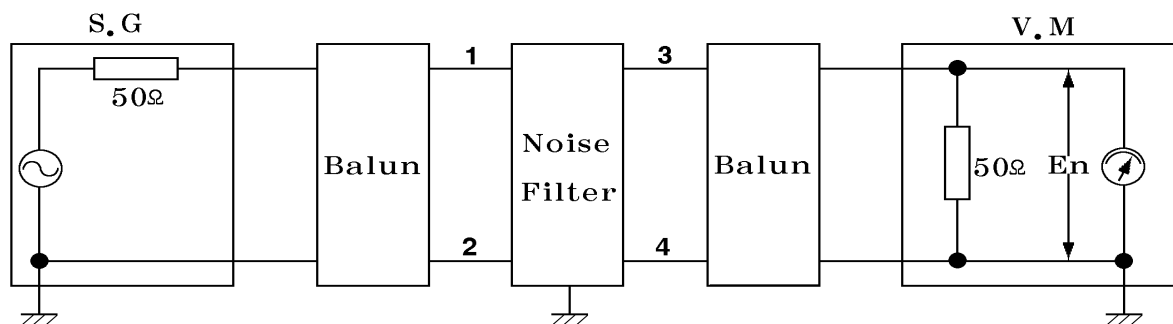
1 volt maximum at rated current.

### F. Circuit Diagram and Component Value

-Refer to attached Appendix page A1

---

## G. Attenuation Measuring Method



OSC Level : 0dB

Insertion loss =  $-20\log(E1/E2)$ [dB]

E1 : Level with the Noise Filter in the circuit.

E2 : Level without the Noise Filter in the circuit

## H. Guaranteed Minimum Attenuation In [dB]

-Refer to attached Appendix page A2

## I. Mechanical Dimension

-Refer to attached Appendix page A3

## J. Marking

1. Trademark.
2. Model No.
3. Rated voltage and current.
4. Operating temperature range.
5. Circuit diagram and component value.
6. Lot No.
7. UL, CSA mark.

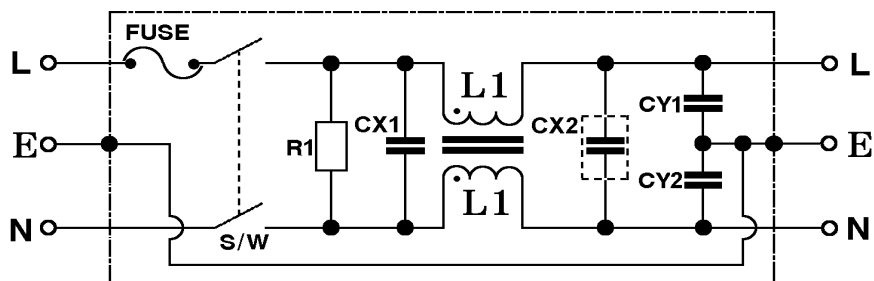
## K. Material List

-Refer to attached Appendix page A4

## L. Packing

-Refer to attached Appendix page A5

※ . Circuit Diagram and Component Value



※ CX2 capacitor - Provided on RIP-\*\*\*\*-H2 suffixed models only

Model No.	Fuse-Rated Current [A]	Inductance L1[mH], +50, -30%	X-Capacitor CX1[μF]±20%	X-Capacitor CX2[μF]±20%	Resistor R1Ω±10%	Y-Capacitor CY1,2[pF]±20%
RIP-0212-H0	2	10.5	0.1	NONE	1M, 1/2W	2200
RIP-0212-H2	2	10.5	0.1	0.22	510K, 1/2W	
RIP-0222-H0	2	10.5	0.22	NONE	1M, 1/2W	
RIP-0222-H2	2	10.5	0.22	0.22	510K, 1/2W	
RIP-0242-H0	2	10.5	0.47	NONE	510K, 1/2W	
RIP-0242-H2	2	10.5	0.47	0.22	510K, 1/2W	
RIP-0412-H0	4	4.2	0.1	NONE	1M, 1/2W	
RIP-0412-H2	4	4.2	0.1	0.22	510K, 1/2W	
RIP-0422-H0	4	4.2	0.22	NONE	1M, 1/2W	
RIP-0422-H2	4	4.2	0.22	0.22	510K, 1/2W	
RIP-0442-H0	4	4.2	0.47	NONE	510K, 1/2W	
RIP-0442-H2	4	4.2	0.47	0.22	510K, 1/2W	
RIP-0612-H0	6.3	1.6	0.1	NONE	1M, 1/2W	
RIP-0612-H2	6.3	1.6	0.1	0.22	510K, 1/2W	
RIP-0622-H0	6.3	1.6	0.22	NONE	1M, 1/2W	
RIP-0622-H2	6.3	1.6	0.22	0.22	510K, 1/2W	
RIP-0642-H0	6.3	1.6	0.47	NONE	510K, 1/2W	
RIP-0642-H2	6.3	1.6	0.47	0.22	510K, 1/2W	

Item : EMI Filter  
 Model No : RIP-Series(Appendix)

Rev 3  
 A 1 - 1

※ Construction of Model No.

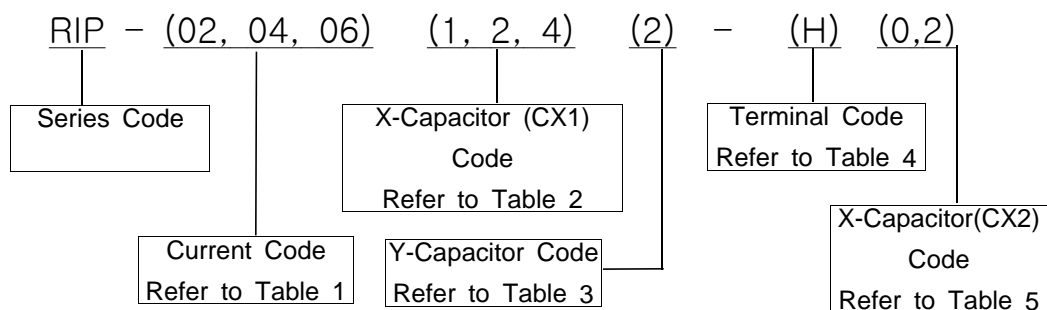


Table 1 ; Current Code

Suffix	02	04	06
Current	2A	4A	6A

Table 2 ; X-Capacitor (CX1) Code

Suffix	1	2	4
X-Capacitor	0.1 $\mu$ F	0.22 $\mu$ F	0.47 $\mu$ F

Table 3 ; Y-Capacitor (CY1,2) Code

Suffix	2
Y-Capacitor	2200pF

Table 4 ; Terminal Code

Suffix	H
Terminal	Faston tab #250

Table 5 ; X-Capacitor (CX2) Code

Suffix	0	2
X-Capacitor	None	0.22 $\mu$ F

Item : EMI Filter  
 Model : RIP-Series

Rev 3

A 2

※ . Guaranteed Minimum Attenuation In [dB]

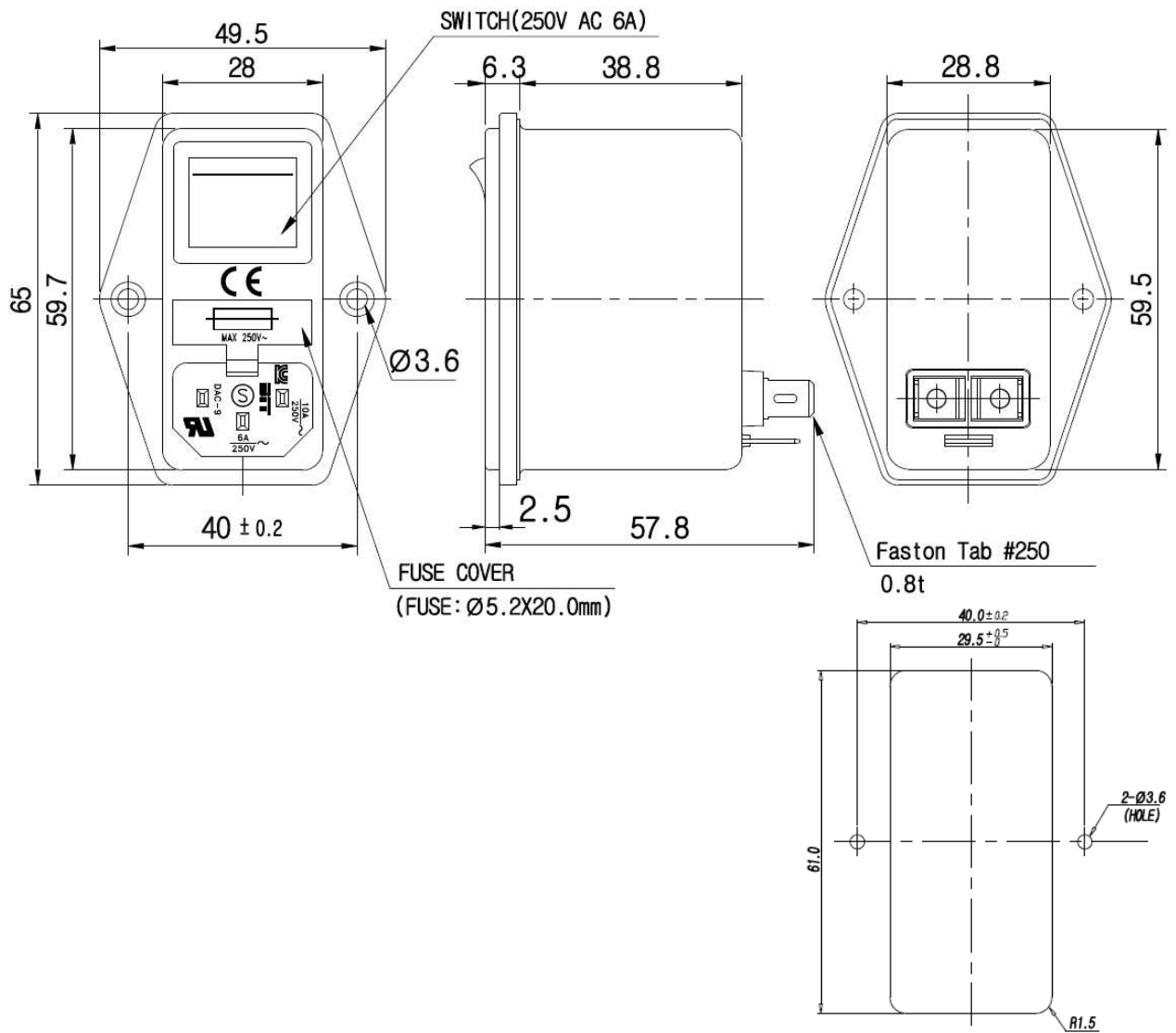
Model	Common mode [MHz]							Normal mode [MHz]						
	0.15	0.45	1	2	5	10	30	0.15	0.45	1	2	5	10	30
RIP-0212-H0	39	50	45	40	40	40	43	13	22	36	50	65	65	58
RIP-0212-H2	37	48	46	41	40	41	45	26	60	70	72	72	69	51
RIP-0222-H0	37	50	45	41	41	41	45	20	30	40	55	64	65	60
RIP-0222-H2	38	50	48	45	44	44	40	37	65	71	73	70	70	52
RIP-0242-H0	39	48	44	42	41	41	45	28	38	48	60	65	65	60
RIP-0242-H2	36	50	47	42	41	41	45	44	70	75	75	70	70	55
RIP-0412-H0	27	40	49	47	46	47	51	15	25	30	42	60	65	60
RIP-0412-H2	28	41	50	49	47	48	51	13	55	75	77	72	70	52
RIP-0422-H0	28	42	49	50	49	50	51	22	32	38	50	63	63	60
RIP-0422-H2	29	42	51	47	47	47	50	26	58	72	74	74	72	50
RIP-0442-H0	28	41	51	51	50	51	51	29	39	44	55	65	65	61
RIP-0442-H2	28	41	48	45	45	45	53	35	65	78	78	70	70	55
RIP-0612-H0	21	32	40	47	49	50	50	16	26	30	33	60	60	55
RIP-0612-H2	21	32	40	47	48	50	50	20	42	65	77	73	71	55
RIP-0622-H0	21	32	40	47	49	52	50	21	31	38	42	59	61	60
RIP-0622-H2	19	30	39	45	48	50	50	18	51	70	75	70	70	55
RIP-0642-H0	20	32	39	46	47	48	49	28	39	45	49	55	62	60
RIP-0642-H2	20	30	39	46	48	49	50	20	52	72	73	73	71	55

Item : EMI Filter  
Model No : RIP-Series

Rev 3

A 3

※ . Mechanical Dimension Unit: mm



\* Panel cutout dimensions  
mount from frontside.

General tolerance: ±1.0

※ . Packing

1. Quantity & Weight

Packing Case	Q'ty/ 1 Box	Gross Weight (kg)
CARTON BOX	100	17
INNER BOX	50	7.5

2. Packing Case

Packing Case	Q'ty	Material	Dimension(W×L×Hmm)
CARTON BOX	1/100	SK3SA	346×360×281
INNER BOX	1/50	SKSA B Type	328×170×215
PACKING CASE	1/10	P.E.T	318×163×43.7
STYROFOAM PAD	1/50	PS	310×155×8
POLY BAG	1/50	PE SHEET	360×550

3. Marking

- 1) Model No.
- 2) Q'ty of products
- 3) Lot No.

