

## Wheels for the general public

### Injected polyurethane covering

#### COVERING

Injected polyurethan, hardness 55 Shore D.

#### WHEEL CENTRE BODY

Polyamide-based technopolymer (PA).

#### ROLLING ACTION

Hub with pass-through hole.

#### FIXED PLATE BRACKET

Electrolytically zinc-plated steel sheet bracket.

#### TURNING PLATE BRACKET

Electrolytically zinc-plated steel sheet bracket.

The presence of a double ball race and the direct contact between the plate and the ball race ring with built-in pin ensure excellent manoeuvrability.

#### FRONT-ACTUATED BRAKE

Total brake that locks the wheel and bracket rotation. The optimised dimensions and the retractable pedal ensure minimal space occupied and maximum actuation ease.

#### STANDARD EXECUTIONS

- **PBL**: fixed plate bracket, without brake.
- **SBL**: turning plate bracket, without brake.
- **SBF**: turning plate bracket, with brake.
- **CBL**: turning plate bracket and threaded centre pin, without brake.
- **CBF**: turning plate bracket and threaded centre pin, with brake.
- **FBL**: turning plate bracket and centre pass-through hole, without brake.
- **FBF**: turning plate bracket and centre pass-through hole, with brake.

#### APPLICATIONS

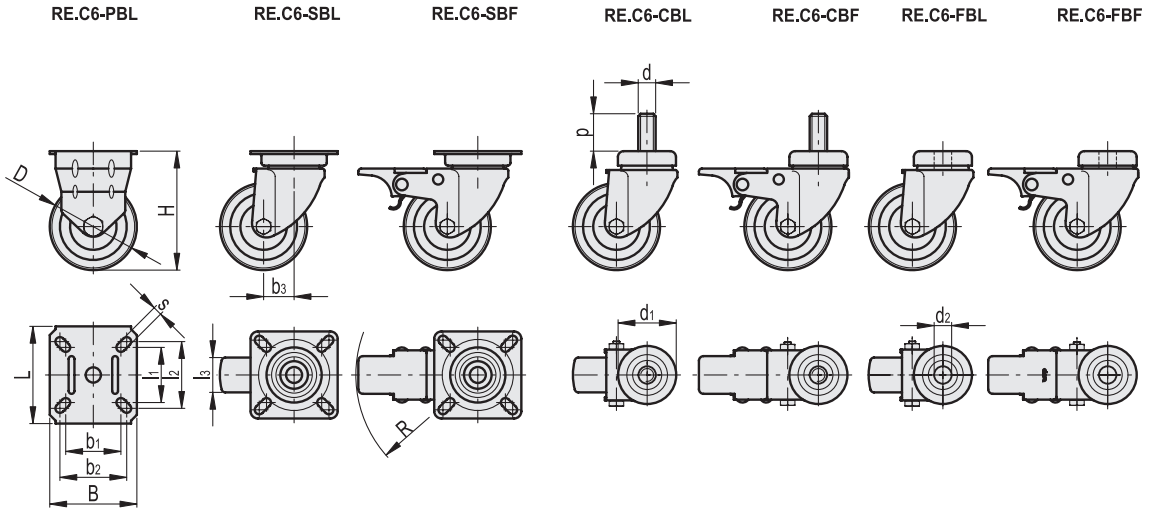
Wheels for the general public, excellent smoothness and elasticity features, high wear and tearing resistance.

#### ENVIRONMENTAL CONDITIONS

Suitable for use in industrial and institutional environments, even in the presence of moisture and chemical agents.

The good resistance to frequent cleaning cycles makes it suitable for environments where it is necessary to ensure hygiene.





Code	Description	D	d	p	d1	d2	l3	H	B	L	s	b1	l1	b2	l2	b3	R	Dynamic carrying capacity# [N]	
451946	RE.C6-040-PBL	40	-	-	-	-	18	59	42	42	5	27	27	33	33	-	-	400	110
451948	RE.C6-050-PBL	50	-	-	-	-	18	66	55	55	6	38.5	38.5	44	44	-	-	550	120
451950	RE.C6-060-PBL	60	-	-	-	-	25	83	60	60	6	38	38	46	46	-	-	700	210
451926	RE.C6-040-SBL	40	-	-	-	-	18	59	42	42	5	30	30	33	33	24	-	400	110
451928	RE.C6-050-SBL	50	-	-	-	-	18	66	55	55	6	38.5	38.5	44	44	24	-	550	130
451930	RE.C6-060-SBL	60	-	-	-	-	25	83	60	60	6	38	38	48	48	21	-	700	240
451936	RE.C6-040-SBF	40	-	-	-	-	18	59	42	42	5	30	30	33	33	24	78	400	130
451938	RE.C6-050-SBF	50	-	-	-	-	18	66	55	55	6	38.5	38.5	44	44	24	76	550	160
451940	RE.C6-060-SBF	60	-	-	-	-	25	83	60	60	6	38	38	48	48	21	84	700	280
451956	RE.C6-040-CBL	40	M10	20	35	-	18	59	-	-	-	-	-	-	-	24	-	400	120
451958	RE.C6-050-CBL	50	M10	20	35	-	18	66	-	-	-	-	-	-	-	24	-	550	130
451960	RE.C6-060-CBL	60	M12	25	42	-	25	83	-	-	-	-	-	-	-	21	-	700	240
451966	RE.C6-040-CBF	40	M10	20	35	-	18	59	-	-	-	-	-	-	-	24	78	400	140
451968	RE.C6-050-CBF	50	M10	20	35	-	18	66	-	-	-	-	-	-	-	24	76	550	160
451970	RE.C6-060-CBF	60	M12	25	42	-	25	83	-	-	-	-	-	-	-	21	84	700	280
451976	RE.C6-040-FBL	40	-	-	35	10	18	59	-	-	-	-	-	-	-	24	-	400	100
451978	RE.C6-050-FBL	50	-	-	35	10	18	66	-	-	-	-	-	-	-	24	-	550	130
451980	RE.C6-060-FBL	60	-	-	42	13	25	83	-	-	-	-	-	-	-	21	-	700	240
451986	RE.C6-040-FBF	40	-	-	35	10	18	59	-	-	-	-	-	-	-	24	78	400	120
451988	RE.C6-050-FBF	50	-	-	35	10	18	66	-	-	-	-	-	-	-	24	76	550	130
451990	RE.C6-060-FBF	60	-	-	42	13	25	83	-	-	-	-	-	-	-	21	84	700	250

# For dynamic carrying capacity see Technical Data on page 2014.