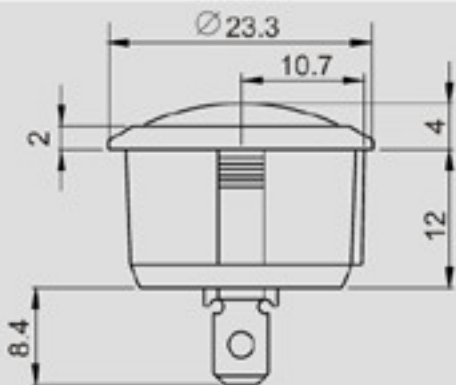


# R9-92L



2.0~3.0mm

DC 500V 100M

12/24VDC  
110/220V AC

AC 1500V 1minute

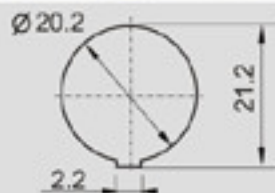
Red, Yellow, Green  
Blue

-20°C~+85°C

## TERMINAL

0 2  .187" SQ

## CUT-OUT



## FEATURES:

- Material:  
Lens: PC.  
Body: nylon (UL flame: 94V-2).  
Terminal: nickel plated brass.
- Fits  $\varnothing 5$ mm LED.
- Mounting: snap-in type.