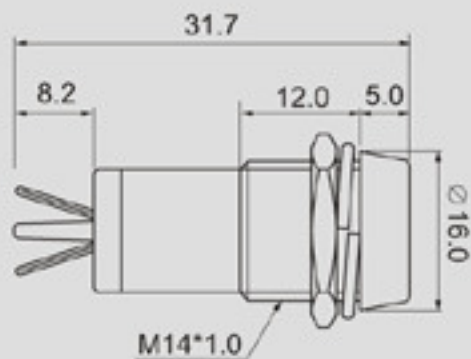


# R9-86L



$\varnothing 0.5 \sim 7.0$ mm

DC500V 100M

12/24V DC

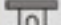
AC 500V 1 minute

Red, Yellow, Green

-20°C ~ +80°C

## TERMINAL

0 1  .250" SQ

0 5  SO

## CUT-OUT



## FEATURES:

- Material:
  - Body: chromium plated brass.
  - Base: phenolic (UL flame: 94V-1).
  - Terminal: nickel plated brass.
- Fits  $\varnothing 10$ mm LED.