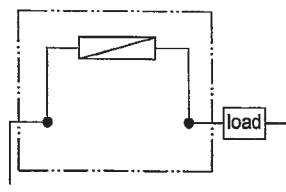
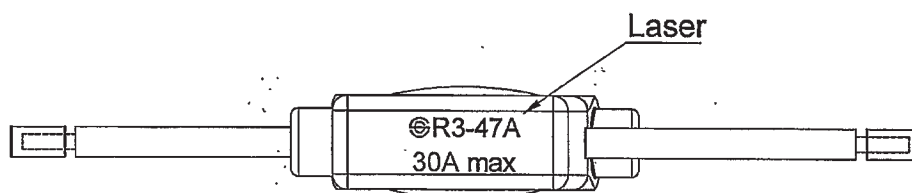
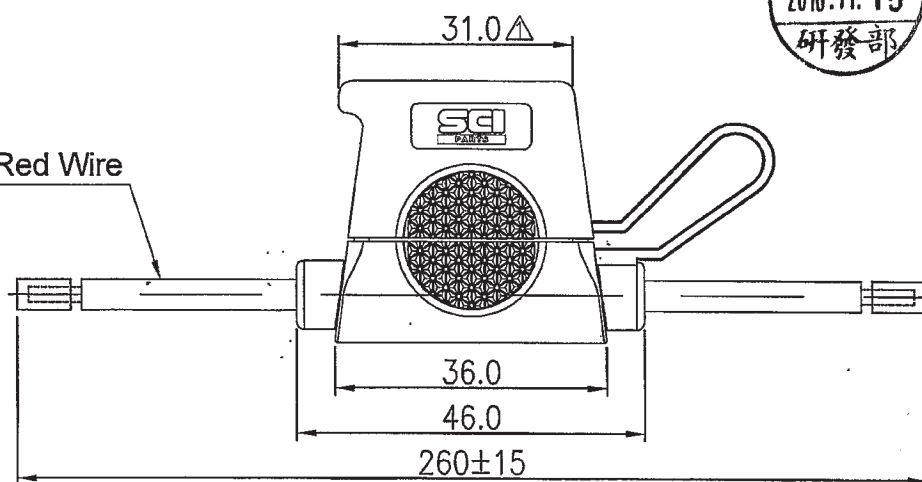


Rating	30A 32V DC	Circuit Diagram 
Insulation Resistance	DC 500V 100MΩ Min	
Dielectric Strength	AC 1000V 1 minute	
FUSE TYPE	BLADE FUSE	

Material:
Body: Black, PVC(T105°C)



12AWG Red Wire



Tolerance ±0.5 except otherwise specified

						△
10/31/16	柳新強	為便於打開上蓋設計變更，尺寸27改為31				△
Date	Name	Description				NO
Drawn	Checked	Approved	SCI BOM No.	1310220	Model Name	In-Line Fuse Holder
柳新強		研發部	Customer No.		Model No.	R3-47A
10/31/16		2016.11.15 李元生	Unit	mm	Shin Chin Industrial Co., Ltd.	
						Rev. 1