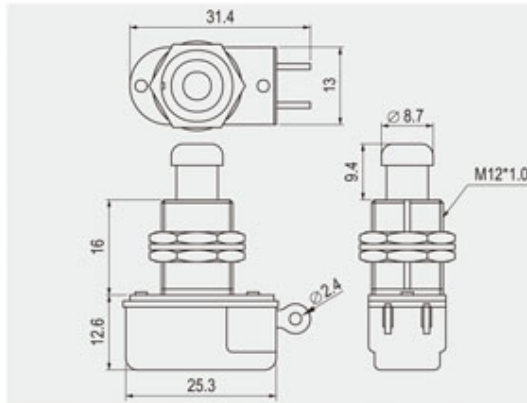
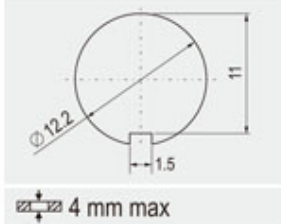


R13-85

Metal Bushing / Screw Type



Rating
6A 125V AC 3A 250V AC
Contact resistance
50mΩ Max
Insulation resistance
DC 500V 100MΩ Min
Dielectric strength
AC 1500V 1 minute
Cut-out



FEATURES

- * MATERIAL: Frame is stainless plate. Bushing and toggle are nickel plated metal. Base is phenolic.
- * Mounted by nut.

R13-85 -

FUNCTION	BUTTON TYPE and DIM		TERMINAL
A 	1 BUTTON: brass with Ni plated 	3 BUTTON: brass with Ni plated 	0 5 SO
B 	2 BUTTON: brass with Ni plated 	4 BUTTON: brass with Ni plated 	

* () = momentary



Related Products



* The specification subject to change without notice. The drawing is for reference only.