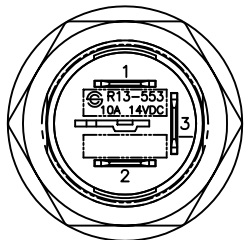
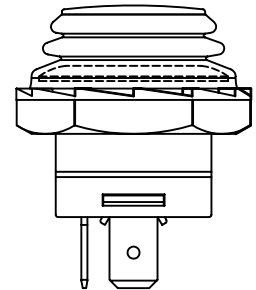
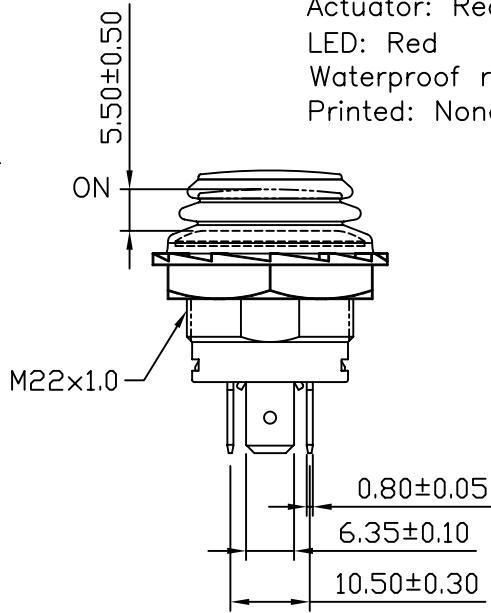
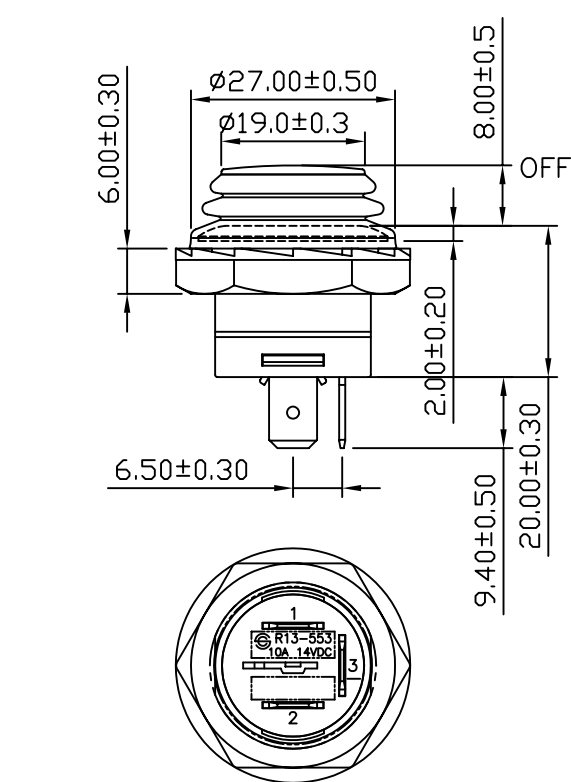
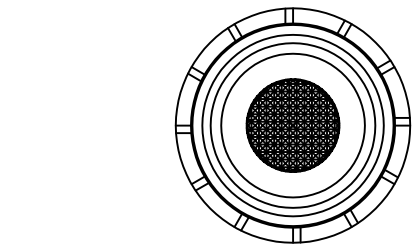
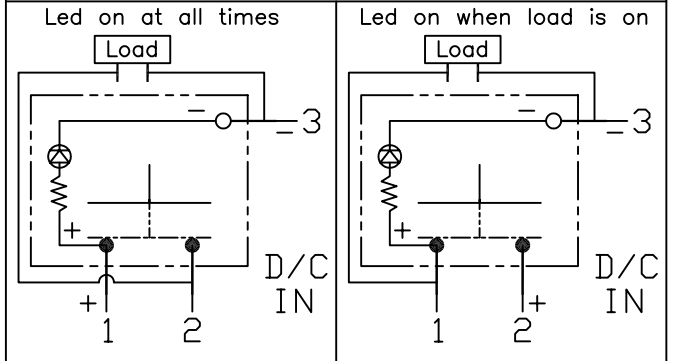


Rating	10A 14VDC	Mounting Hole	
Contact Resistance	50m ohm Max.		
Insulation Resistance	DC 500V 100M ohm Min.		
Dielectric Strength	AC 1500V 1 minute		
Operation Temperature	-25°C~85°C		
Switch Function	3P SPST OFF-ON (LED dependent)		

*Electrical life at full load: 20,000cycles.
 *Waterproof: IP65



Circuit Diagram



MATERIAL:

Frame: Black, Nylon 66 (94-V2)
 Actuator: Red, PC clear (94-V2)
 LED: Red
 Waterproof rubber: Black, Silicone
 Printed: None

C3\R13-553\R13-553B2L-01

						△	
						△	
Date	Name	Descriptions				NO	
Drawing	Check	Approval	SCI BOM No.	1830785	Model Name	PUSH SWITCH	
B.S.Wang	王伯山	李景煌	Customer No.		Model No.	R13-553B2L-01	REV.
11/12/'08	11/17/'08	11/17/'08	Unit	mm	SHIN CHIN INDUSTRIAL CO., LTD.		0