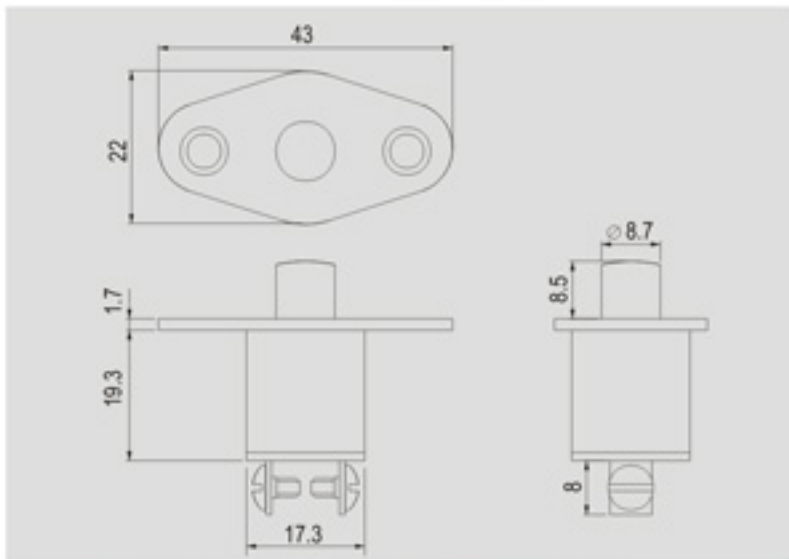


R13-52

Screw Mounting Type

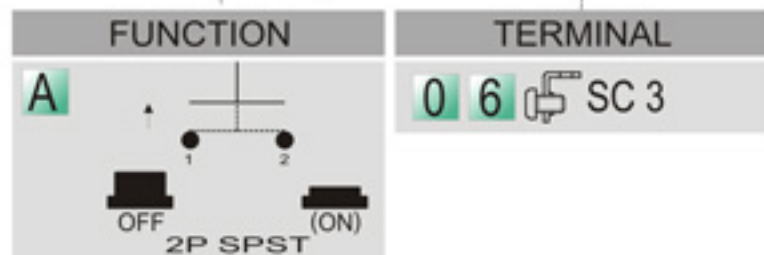


0.75A 125V AC 0.25A 250V AC
Contact resistance
50mΩ Max
Insulation resistance
DC 500V 100MΩ Min
Dielectric strength
AC 1500V 1 minute
Cut-out
4 mm max

FEATURES

- * MATERIAL: Frames and Actuators are ABS (UL flame: 94-HB). Terminals are brass plated.
- * Mounted by screws.
- * Application: Doorbell.

R13-52 -



* () =momentary