
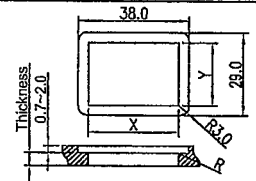
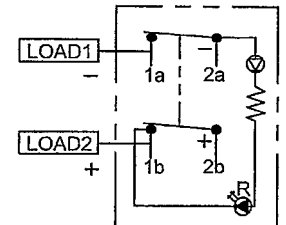
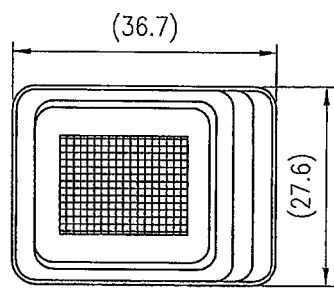
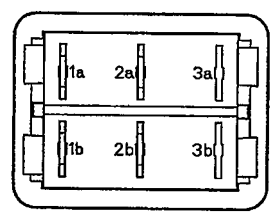
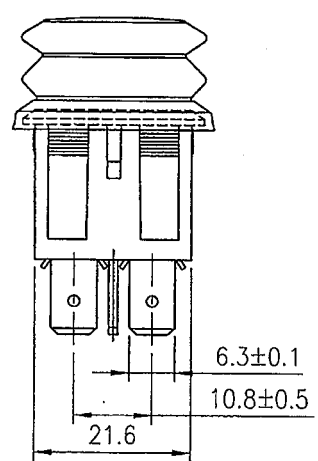
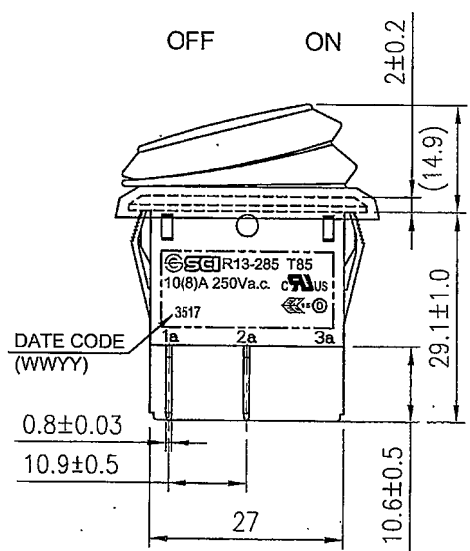


Rating	10(8)A 250Va.c. 		Circuit Diagram											
Contact Resistance	50m ohm Max.		Switch on, Red LED lighten											
Insulation Resistance	DC 500V 100M ohm Min.													
Dielectric Strength	AC 1500V 1 minute													
Operation Temperature	-25°C~85°C													
Switch Function	4P DPST ON-OFF(LED dependent)	<table border="1"> <tr> <th>Thickness</th> <th>X</th> <th>Y</th> </tr> <tr> <td>0.75~1.25</td> <td>30.2-0.1</td> <td>22.2+0.1</td> </tr> <tr> <td>1.25~2</td> <td>30.4-0.1</td> <td>22.2+0.1</td> </tr> <tr> <td>2~4</td> <td>30.8-0.1</td> <td>22.2+0.1</td> </tr> </table>	Thickness	X	Y	0.75~1.25	30.2-0.1	22.2+0.1	1.25~2	30.4-0.1	22.2+0.1	2~4	30.8-0.1	22.2+0.1
Thickness	X	Y												
0.75~1.25	30.2-0.1	22.2+0.1												
1.25~2	30.4-0.1	22.2+0.1												
2~4	30.8-0.1	22.2+0.1												

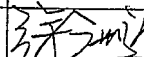
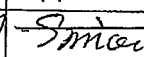


MATERIAL:
 Frame: Black, Nylon#66 (94-V2)
 Actuator: Red, PC (94-V2)
 Terminals: Silver plated, Copper alloy
 Waterproof Rubber: Black Silicone
 LED color: Red
 Waterproof: IP65



原稿
 2017.8.30
 研發部

Tolerance ±0.3 unless otherwise specified

Date		Name		Description			NO
Drawn	Checked	Approved	SCI BOM No.	182 6520	Model Name	ROCKER SWITCH	
會敏捷			Customer No.		Model No.	R13-285A8L1-01-BRRN5	Rev.
08/22/17	8/22-17	8/22-17	Unit	mm	Shin Chin Industrial Co., Ltd.		0