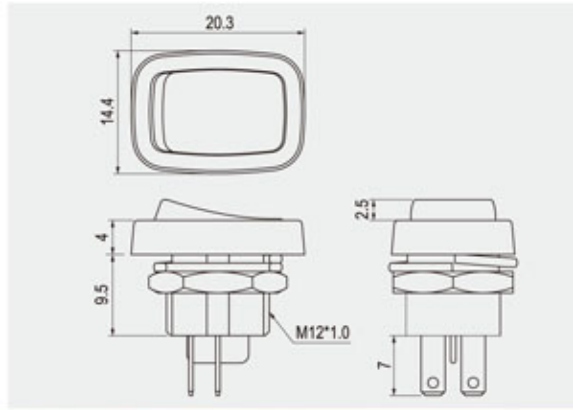
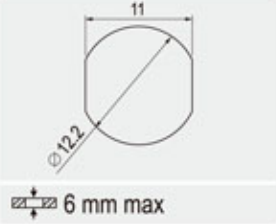


# R13-213

## Screw Type



<b>Rating</b>
6A 125V AC 3A 250V AC
<b>Contact resistance</b>
50mΩ Max
<b>Insulation resistance</b>
DC 500V 100MΩ Min
<b>Dielectric strength</b>
AC 1000V 1 minute
<b>Cut-out</b>



### FEATURES

- \* MATERIAL: Frame is nylon (UL flame: 94V-2). Terminals are silver plated brass.
- \* Specially for compact room design.
- \* Mounted by nut thread in.

R13-213

FUNCTION		TERMINAL
<b>A</b>  2P SPST	<b>C</b>  3P SPDT	0 3  .110" SQ
<b>B</b>  6P DPDT	<b>F</b>  4P DPST	